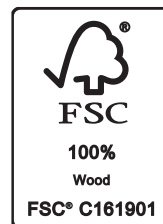
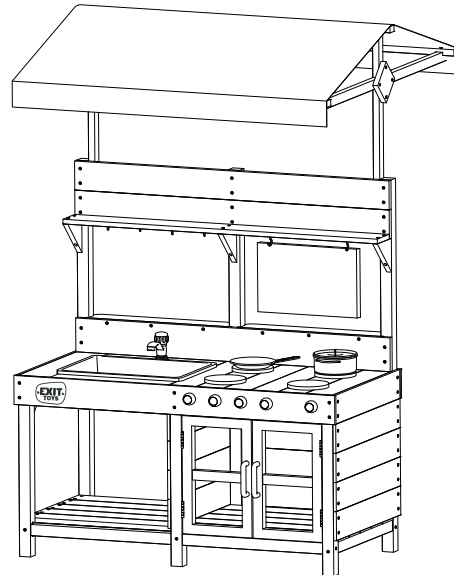
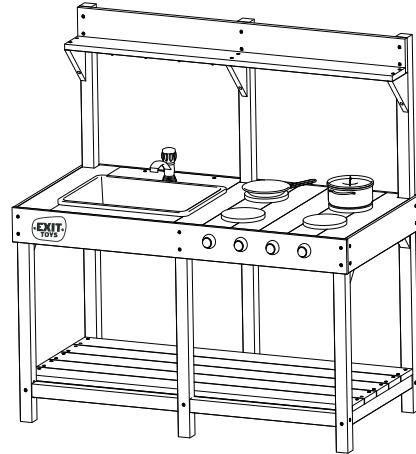
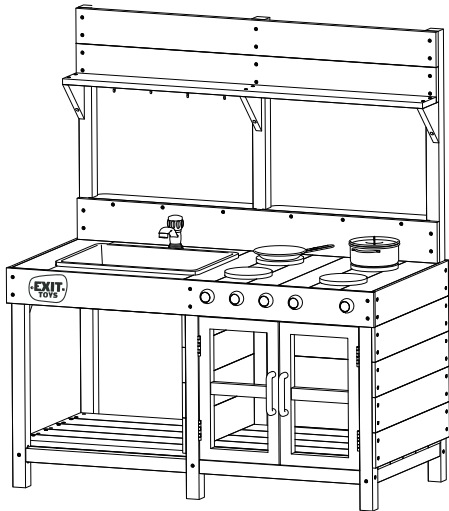




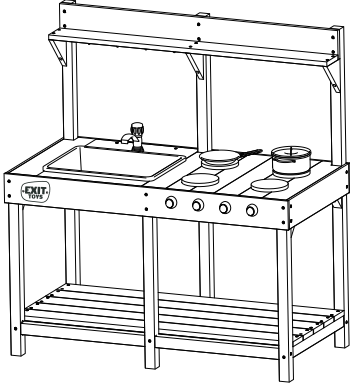
Yummy

EXIT Yummy Outdoor Play Kitchen

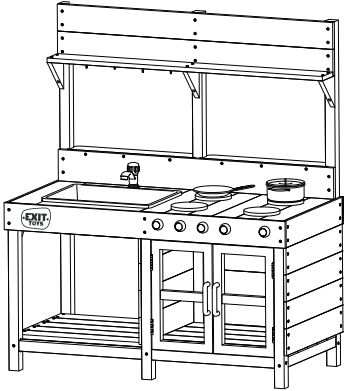
100/200/300



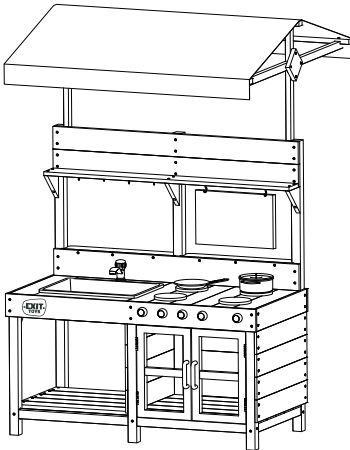
EXIT Yummy 100



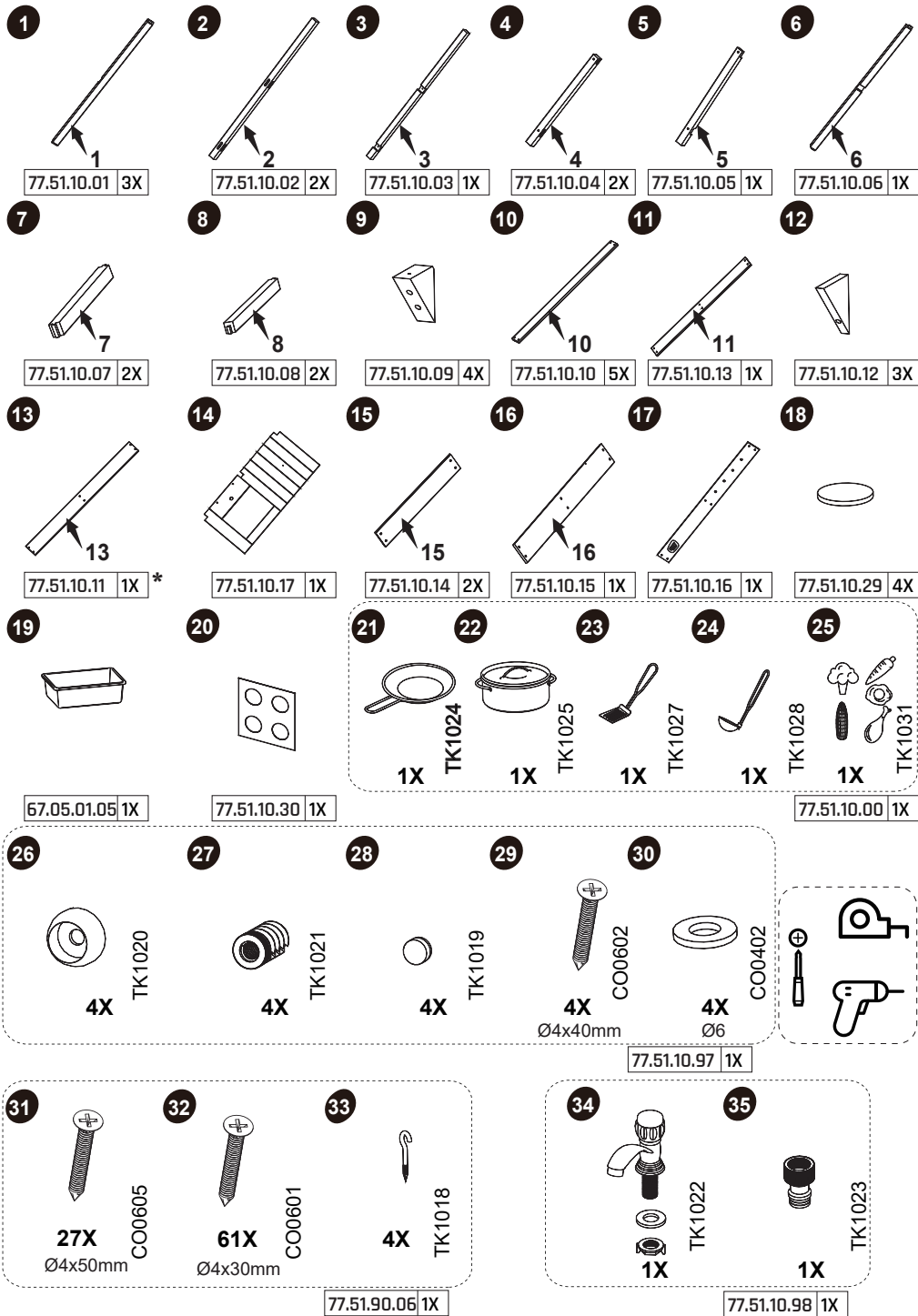
EXIT Yummy 200



EXIT Yummy 300



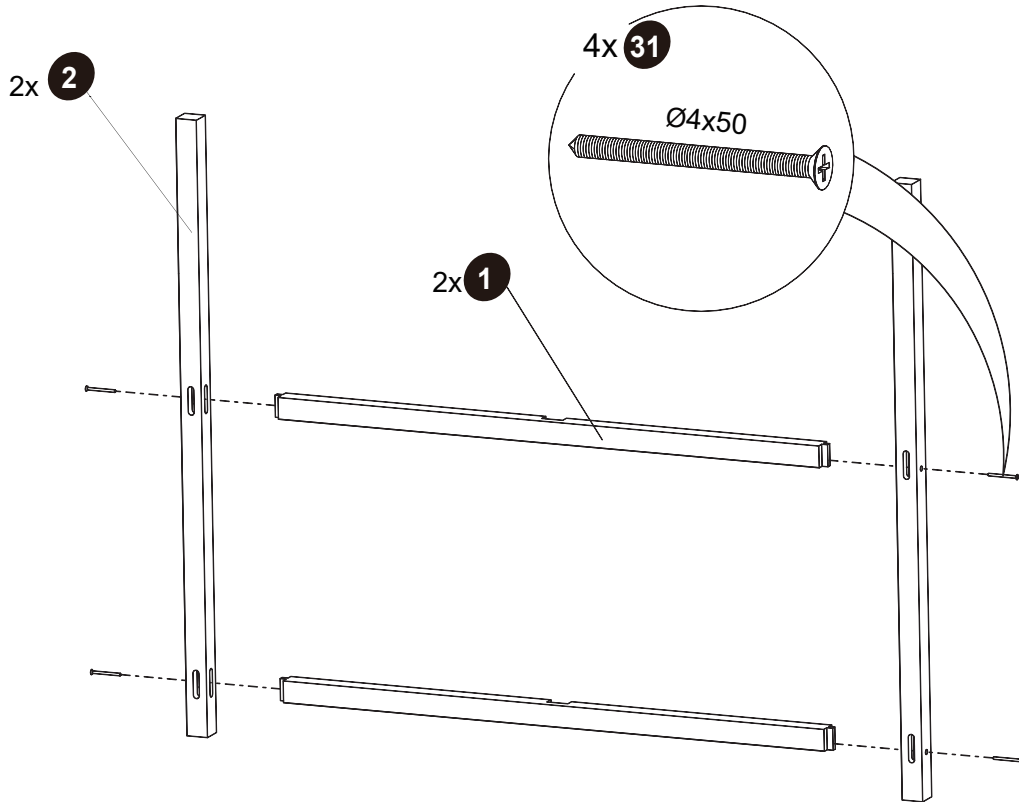
EXIT Yummy Outdoor Play Kitchen 100



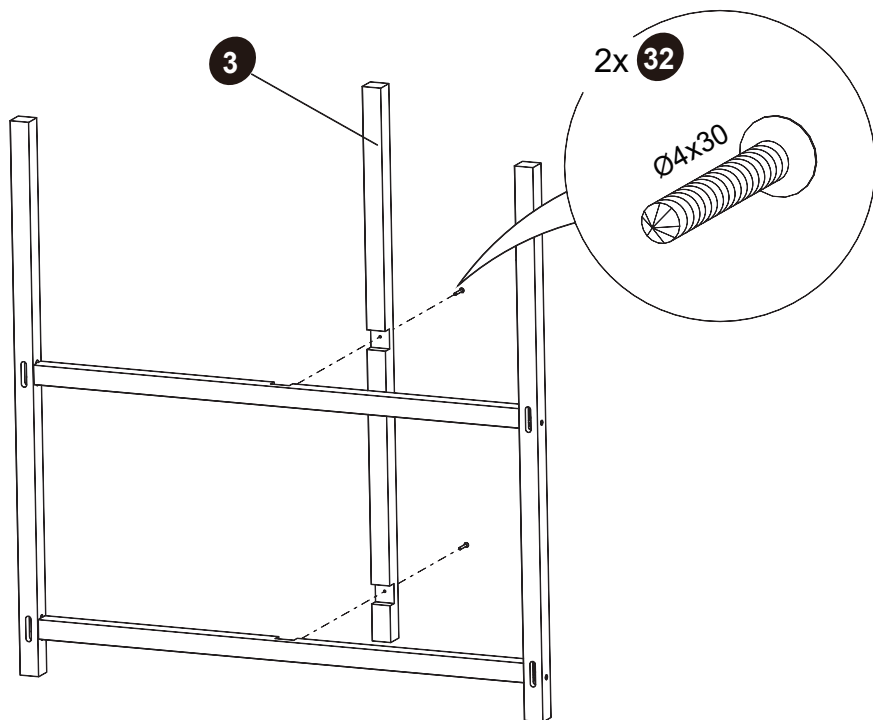
* BOX REFERENCE: XX.XX
 PRODUCTION ID: XXX XXX



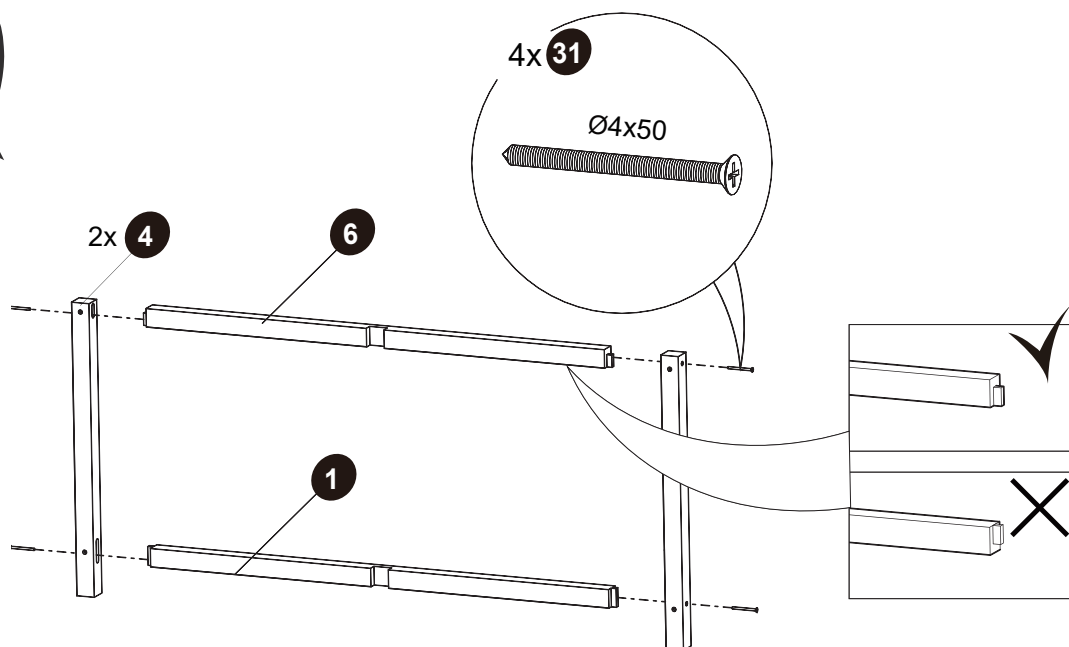
1



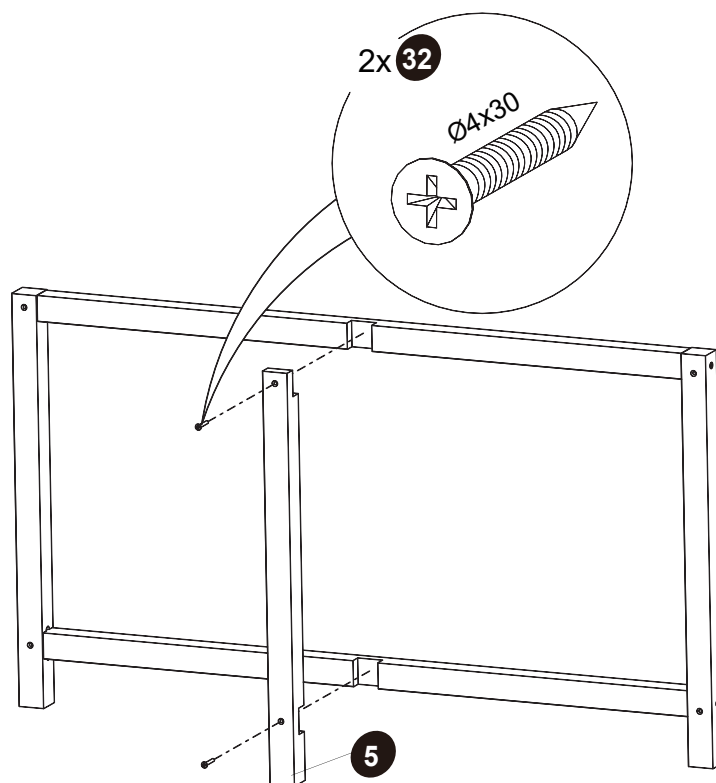
2



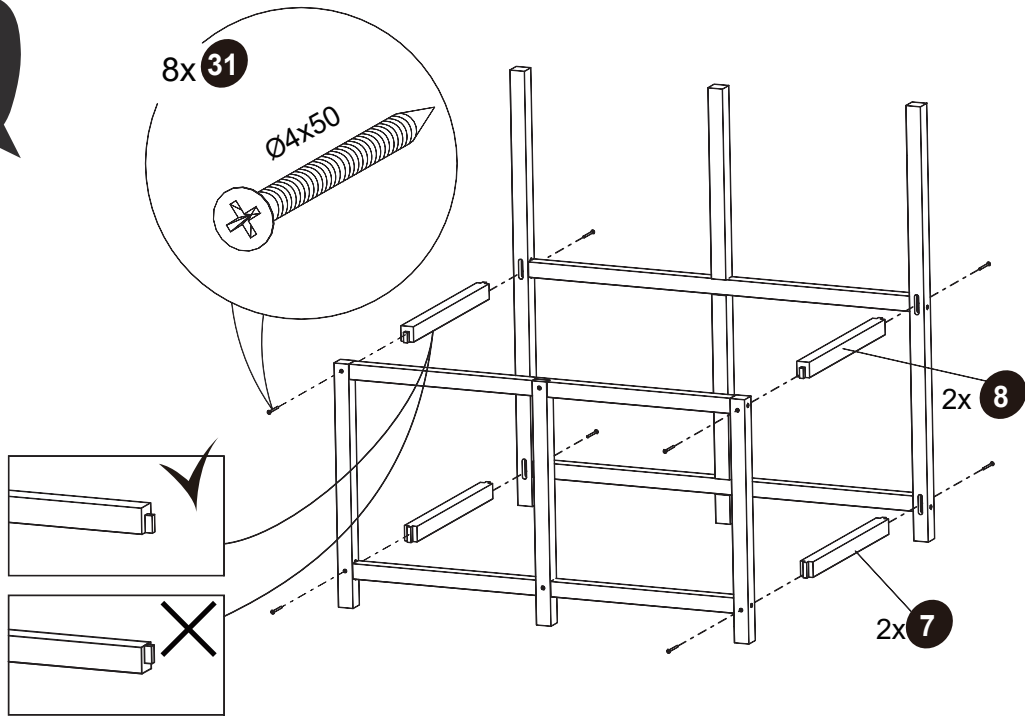
3



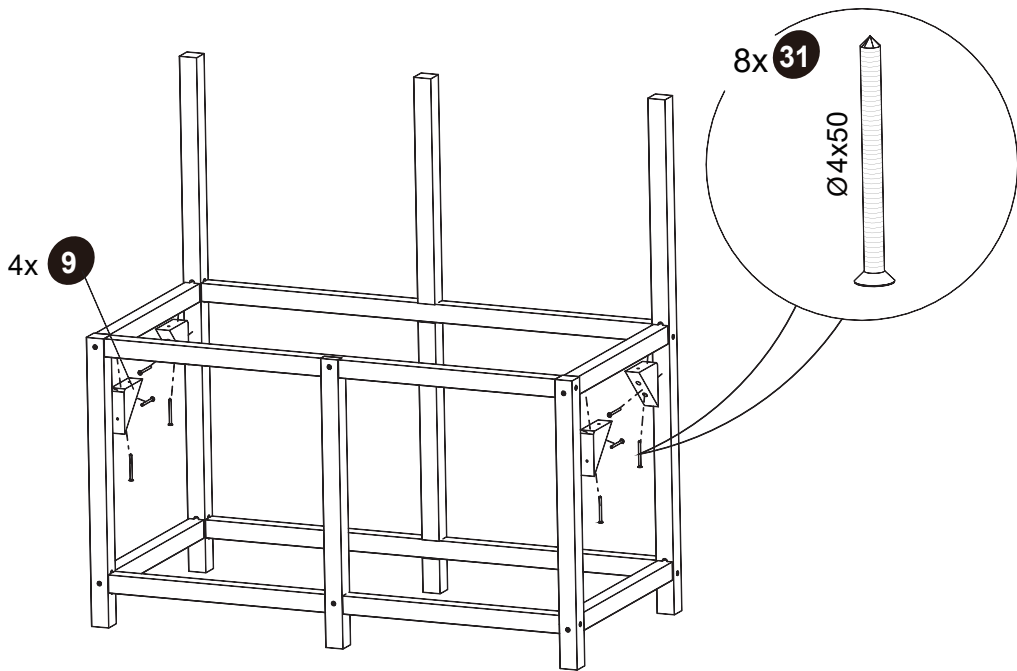
4



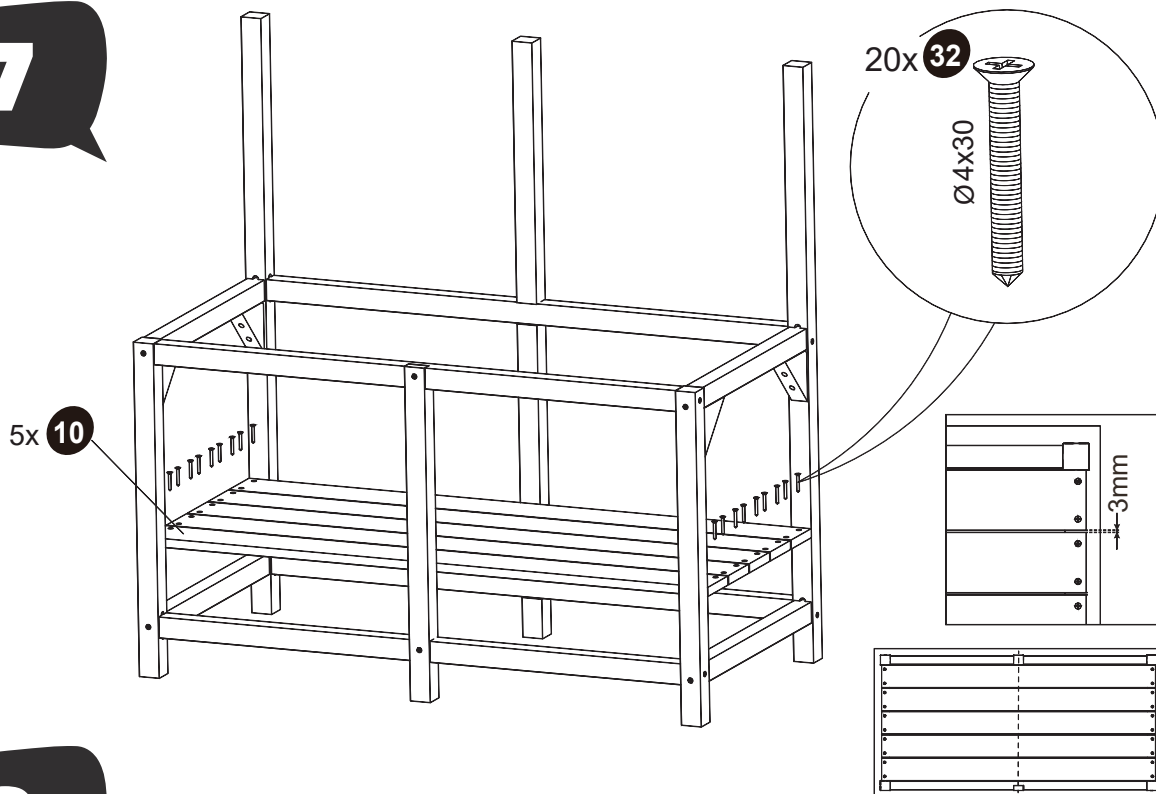
5



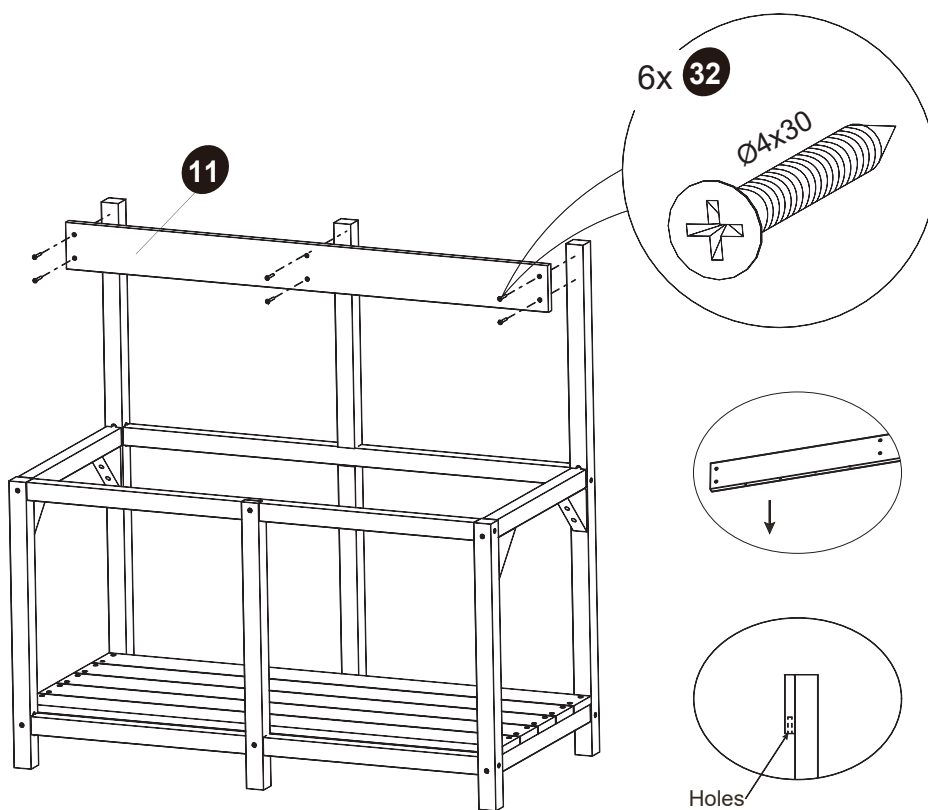
6



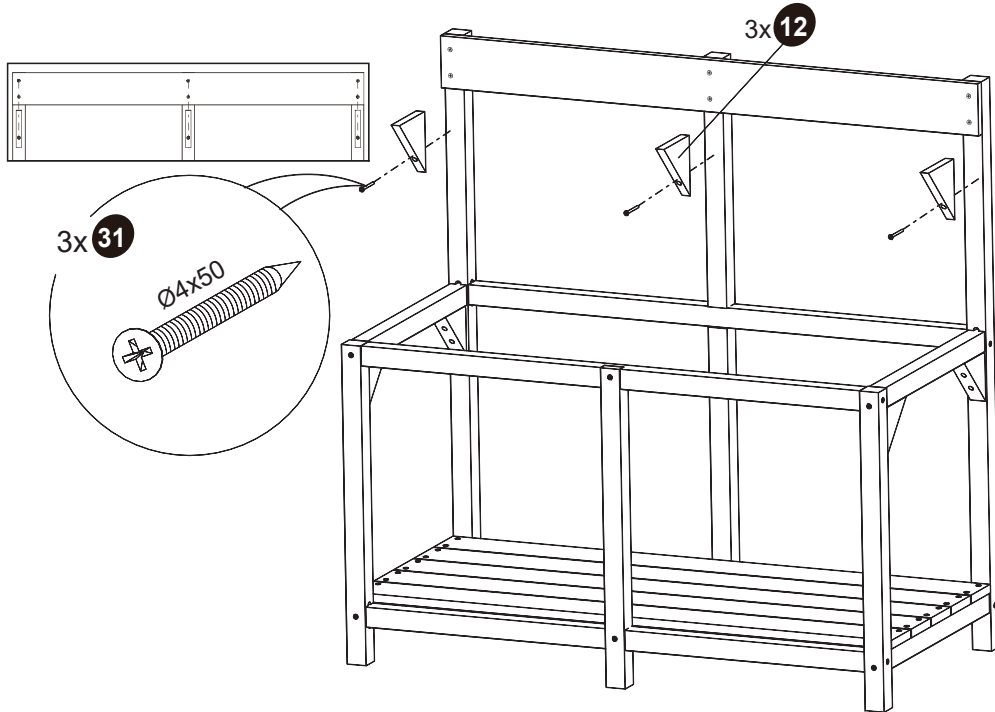
7



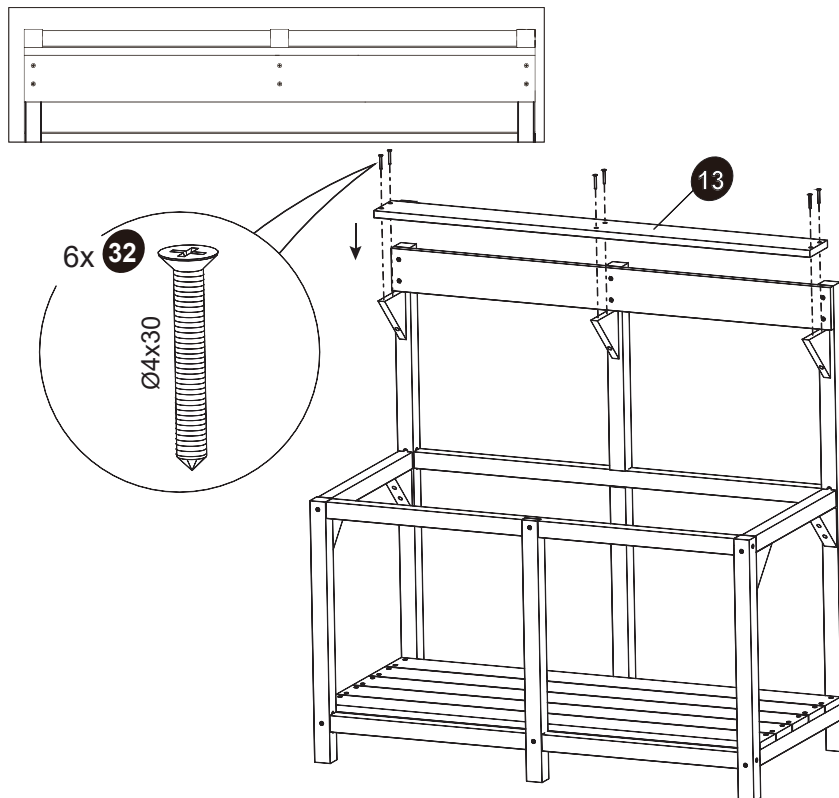
8



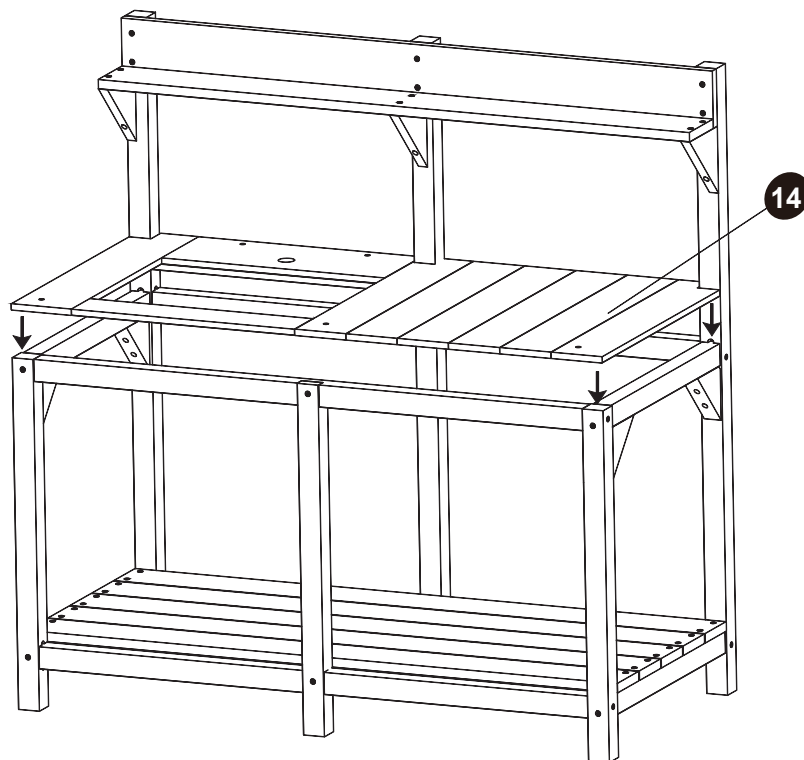
9



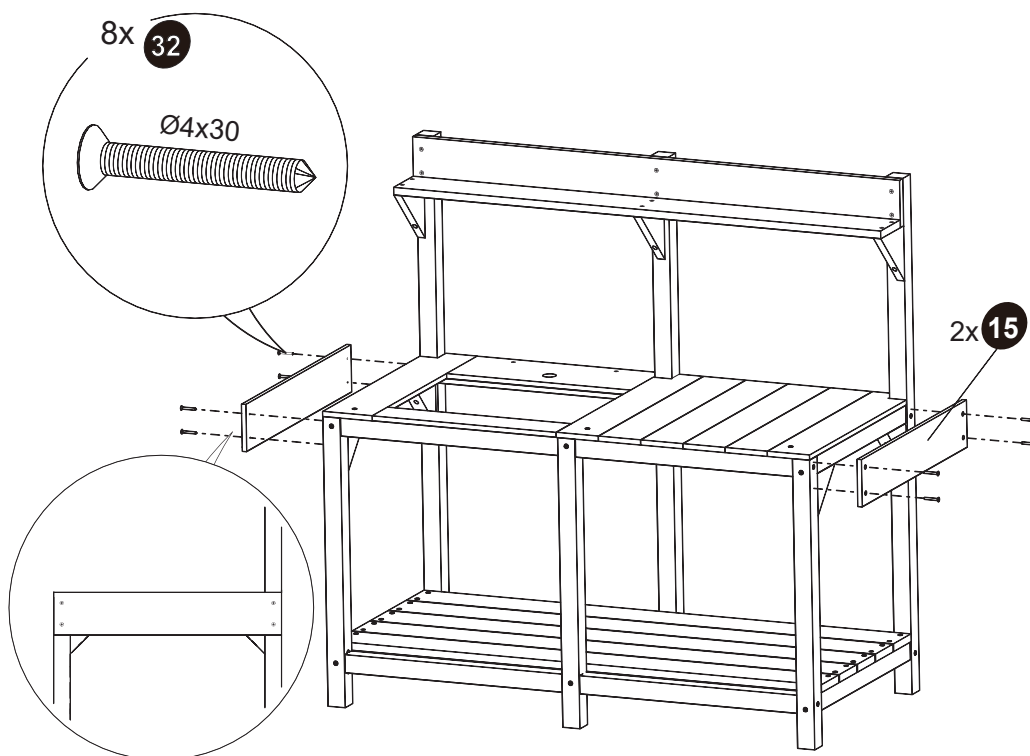
10



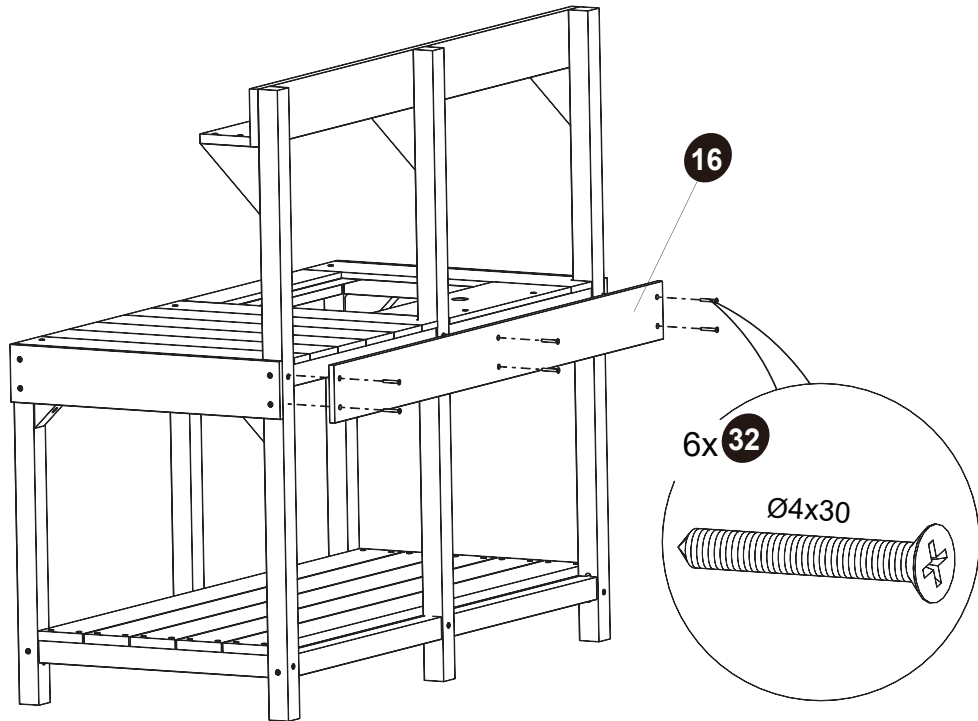
11



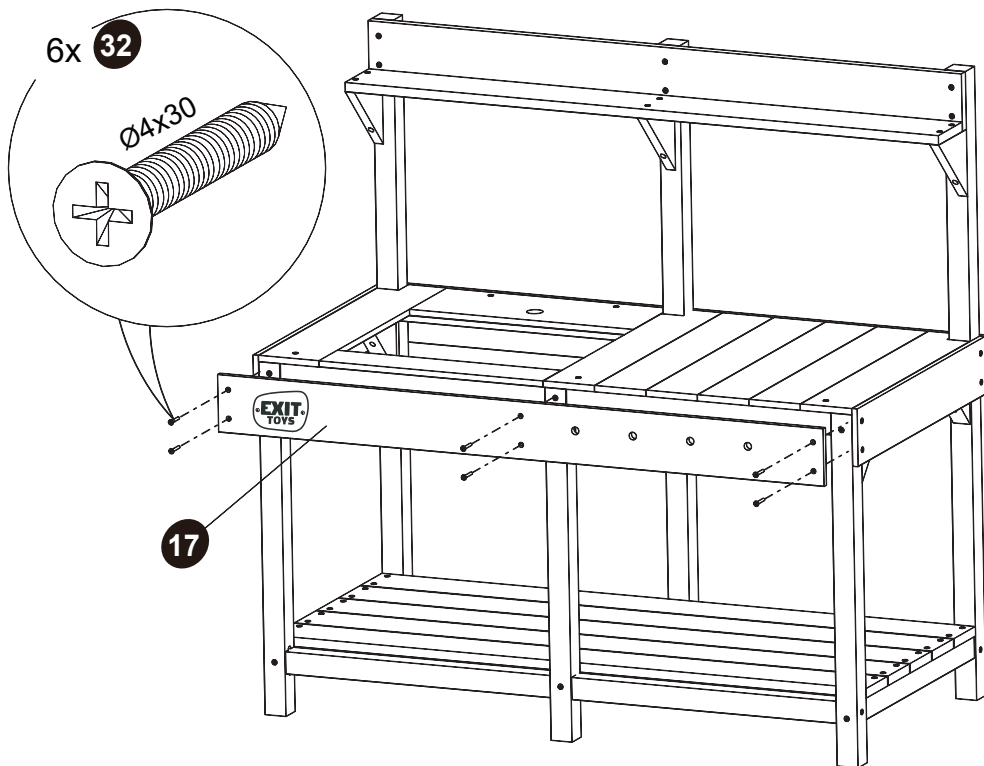
12



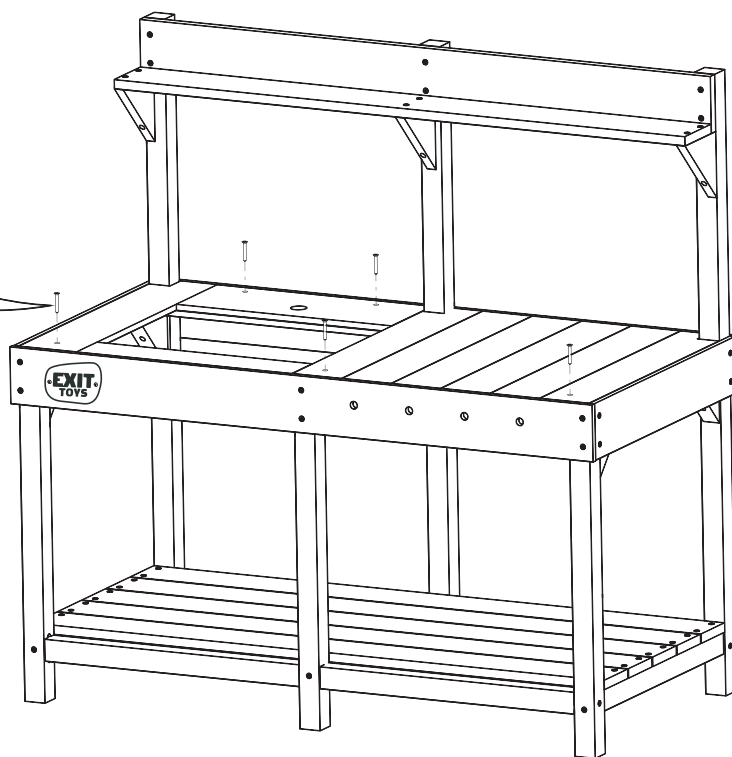
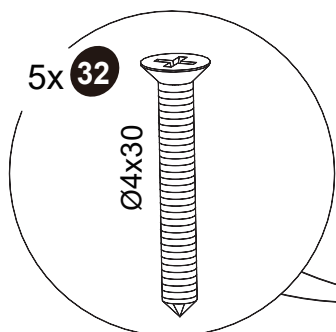
13



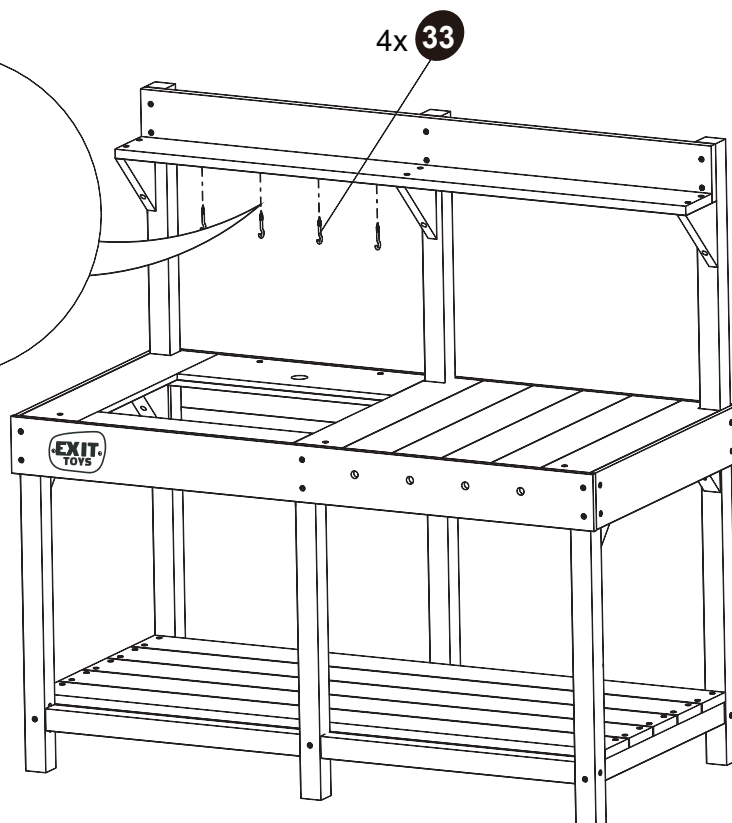
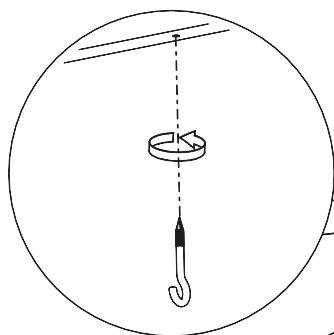
14



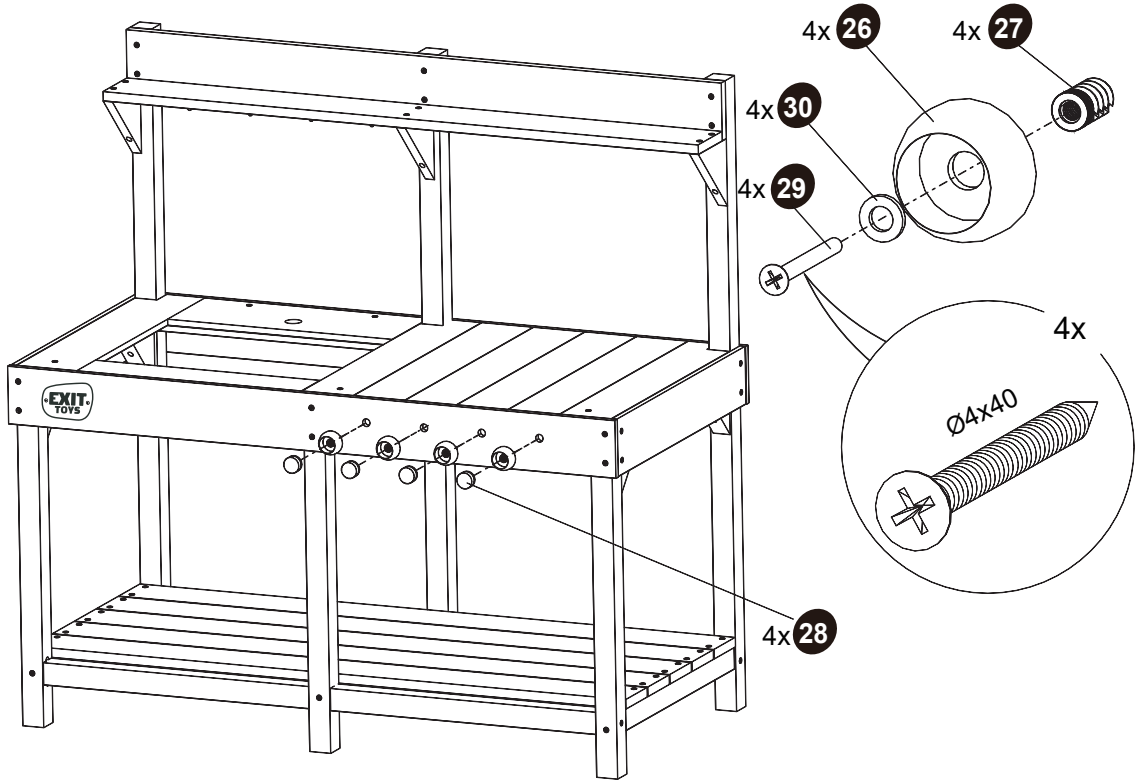
15



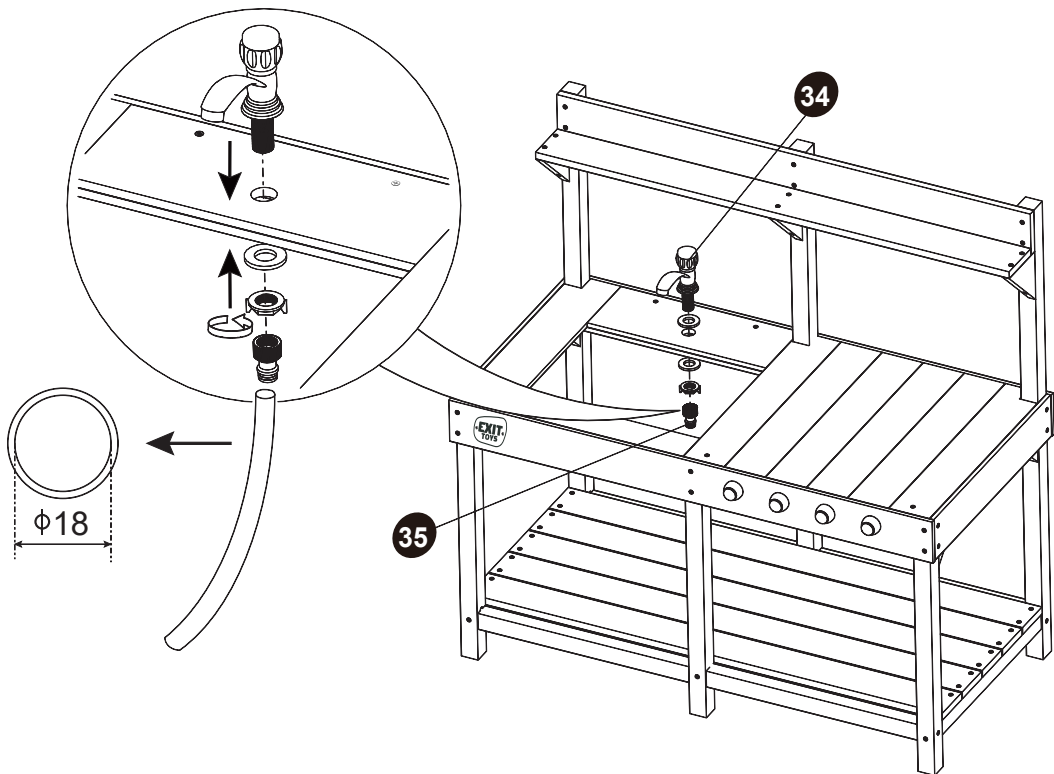
16



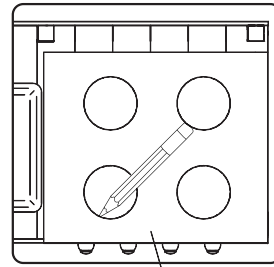
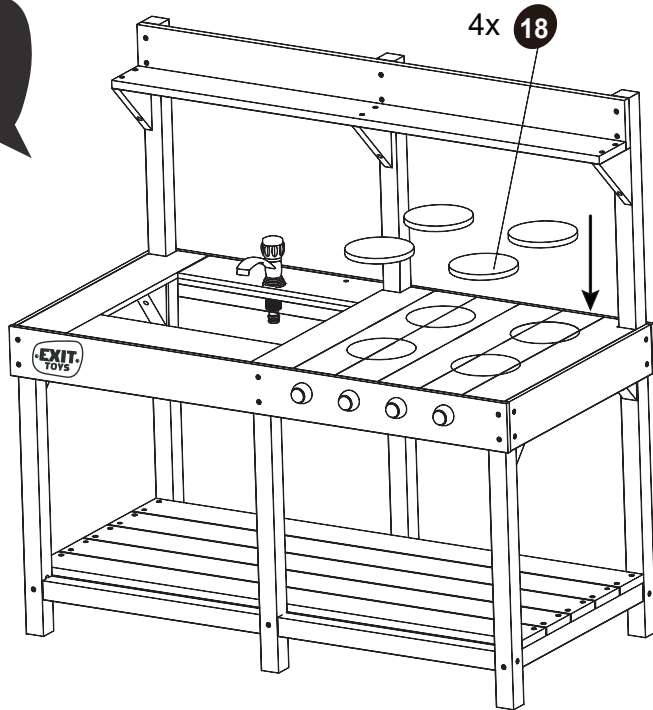
17



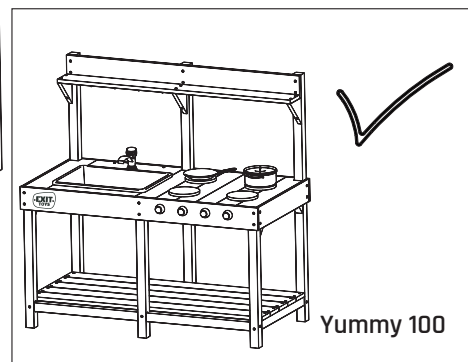
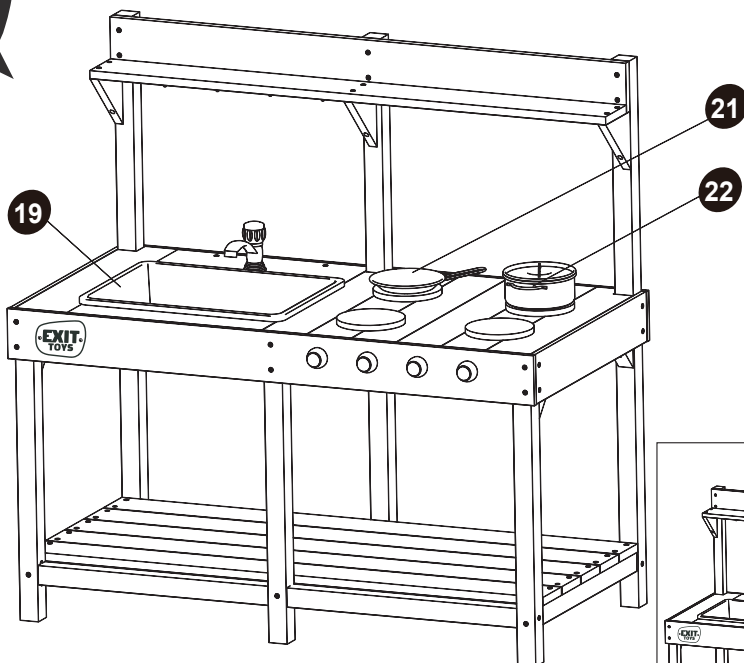
18




19




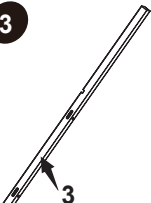
20





EXIT Yummy Outdoor Play Kitchen 200

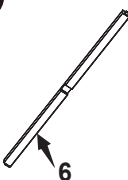

- 1**



2


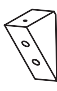
3



4



5



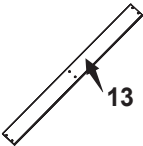
6

- | | | | | | | | | | | | |
|-------------|----|-------------|----|-------------|----|-------------|----|-------------|----|-------------|----|
| 77.51.10.01 | 3X | 77.51.20.01 | 1X | 77.51.20.02 | 1X | 77.51.10.04 | 2X | 77.51.10.05 | 1X | 77.51.10.06 | 1X |
|-------------|----|-------------|----|-------------|----|-------------|----|-------------|----|-------------|----|
- 7**


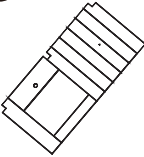
8


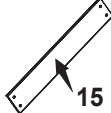
9


10


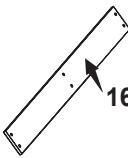
11


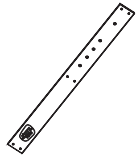
12

- | | | | | | | | | | | | |
|-------------|----|-------------|----|-------------|----|-------------|----|-------------|----|-------------|----|
| 77.51.10.07 | 2X | 77.51.10.08 | 2X | 77.51.10.09 | 4X | 77.51.10.10 | 4X | 77.51.20.03 | 1X | 77.51.10.12 | 3X |
|-------------|----|-------------|----|-------------|----|-------------|----|-------------|----|-------------|----|
- 13**



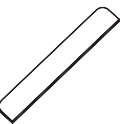
14


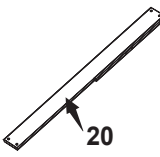
15


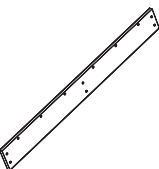
480x90x10mm

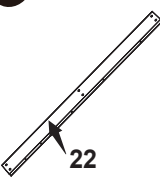
16


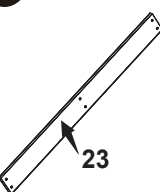
17


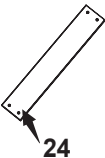
18

- | | | | | | | | | | | | |
|-------------|------|-------------|----|-------------|-----|-------------|----|-------------|----|-------------|----|
| 77.51.10.11 | 1X * | 77.51.20.18 | 1X | 77.51.10.14 | 10X | 77.51.10.15 | 1X | 77.51.20.09 | 1X | 67.05.01.05 | 1X |
|-------------|------|-------------|----|-------------|-----|-------------|----|-------------|----|-------------|----|
- 19**


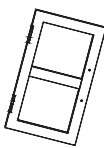
20



21


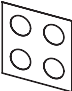
22


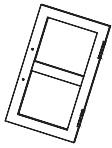

23



24


500x90x10mm
- | | | | | | | | | | | | |
|-------------|----|-------------|----|-------------|----|-------------|----|-------------|----|-------------|----|
| 77.51.20.05 | 2X | 77.51.20.04 | 1X | 77.51.20.06 | 1X | 77.51.20.07 | 1X | 77.51.20.08 | 1X | 77.51.20.19 | 4X |
|-------------|----|-------------|----|-------------|----|-------------|----|-------------|----|-------------|----|
- 25**


26


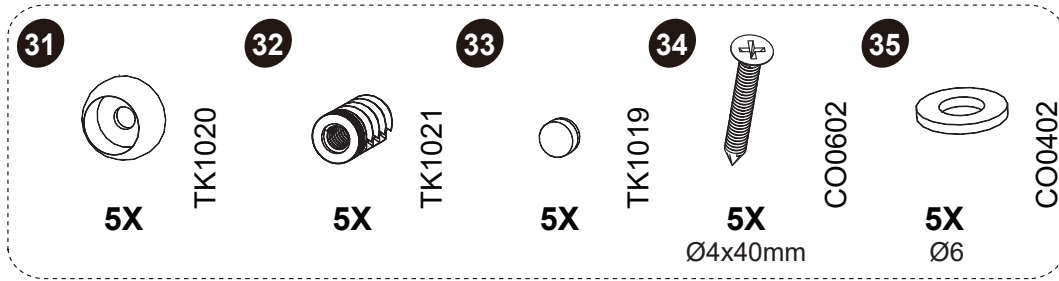
27


28

- | | | | | | | | |
|-------------|----|-------------|----|-------------|----|-------------|----|
| 77.51.20.91 | 1X | 77.51.10.29 | 4X | 77.51.10.30 | 1X | 77.51.20.92 | 1X |
|-------------|----|-------------|----|-------------|----|-------------|----|
- 29**


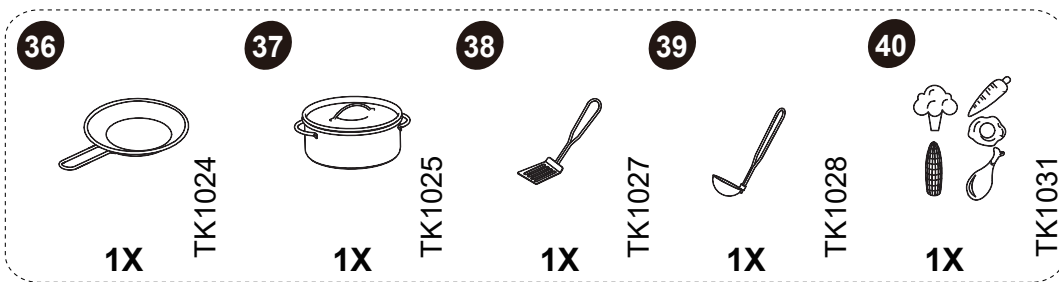
30


TK1022	TK1023
1X	1X

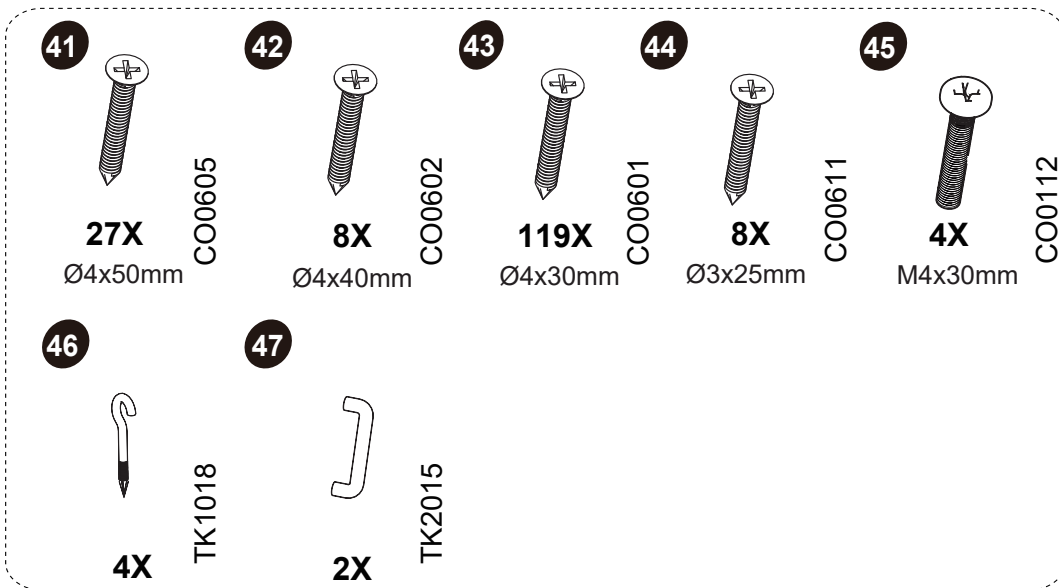
77.51.10.98 1X



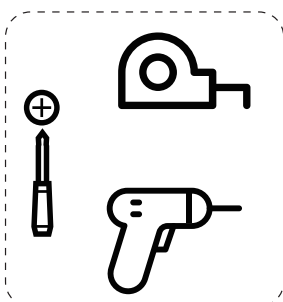
77.51.20.94 1X



77.51.10.00 1X



77.51.90.07 1X

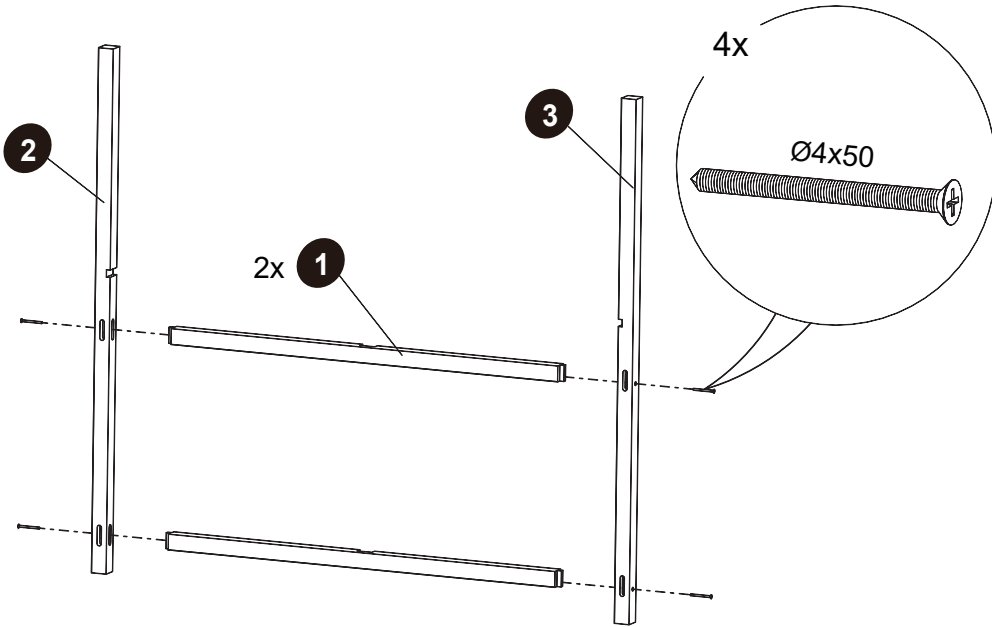


*

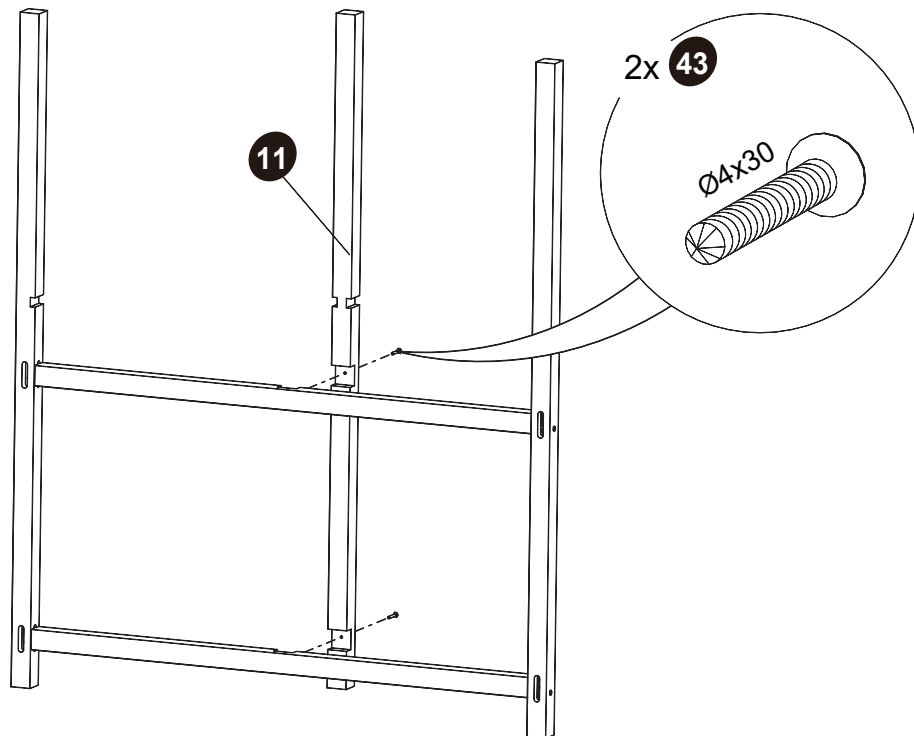
BOX REFERENCE:	XX.XX
PRODUCTION ID:	XXX XXX



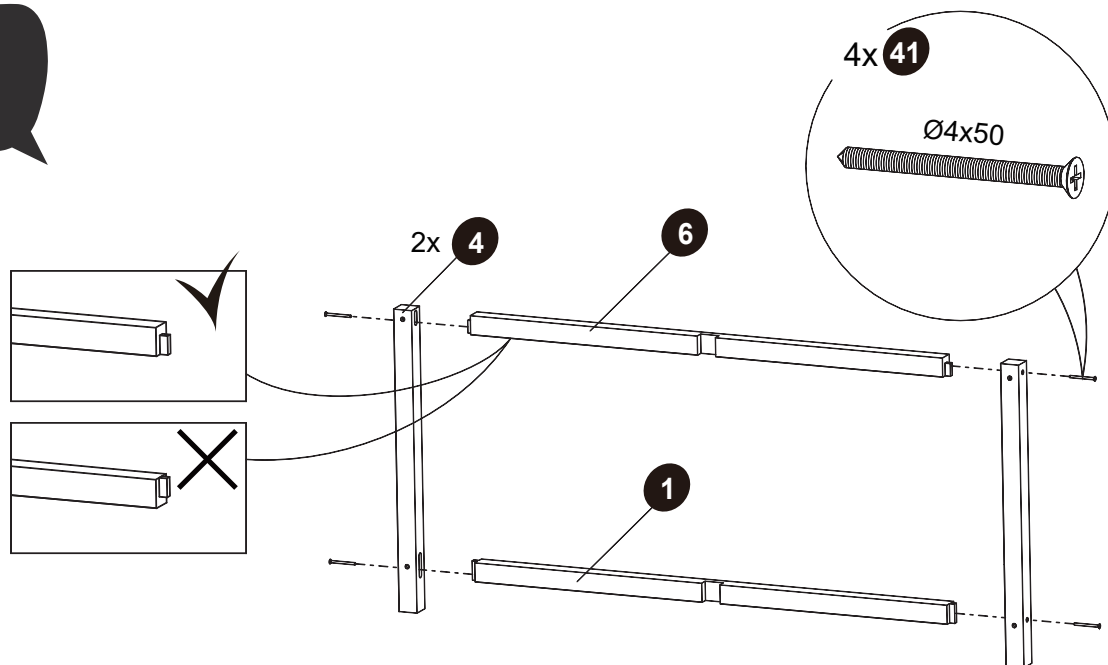
1



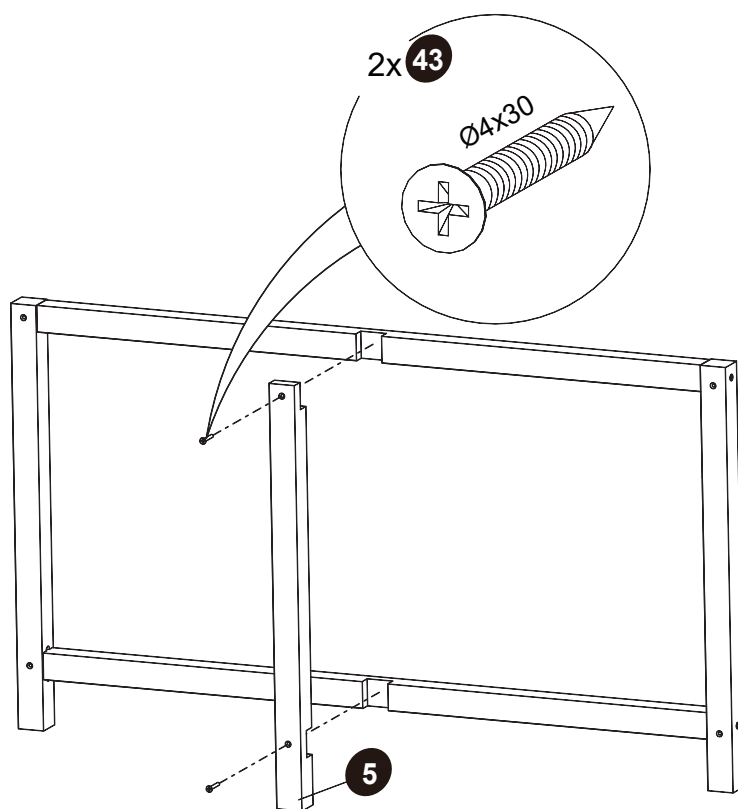
2



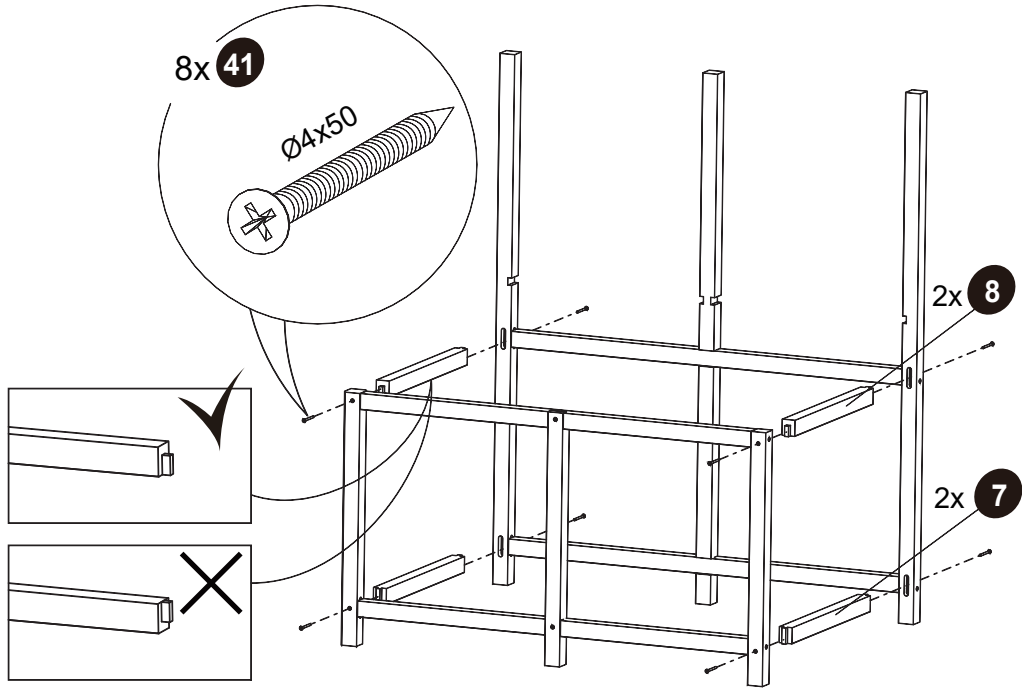
3



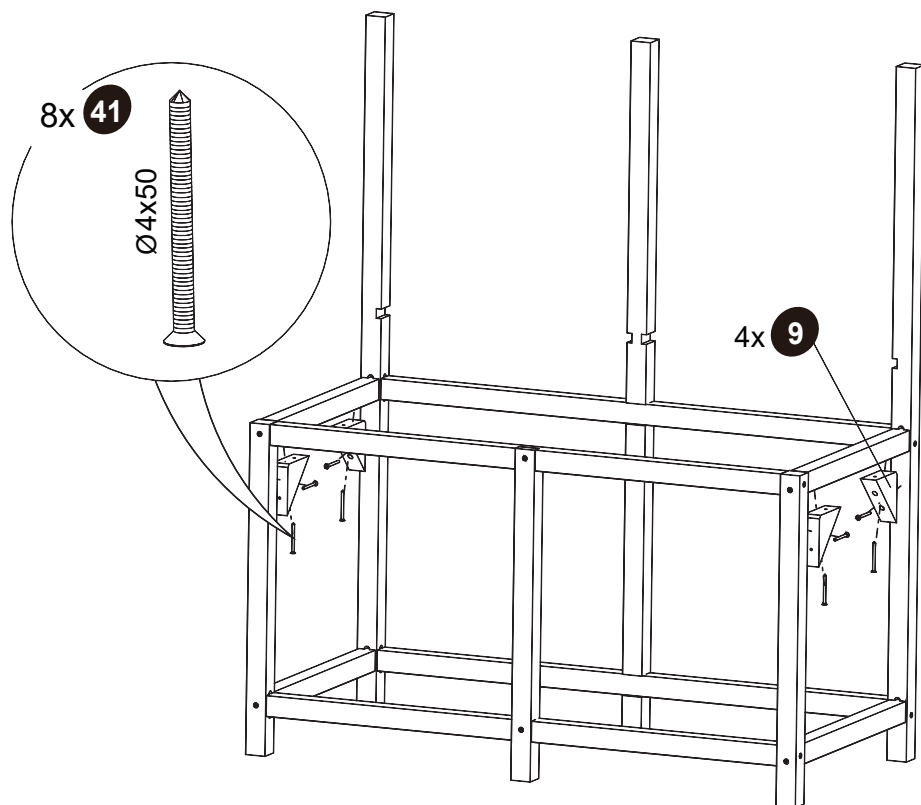
4



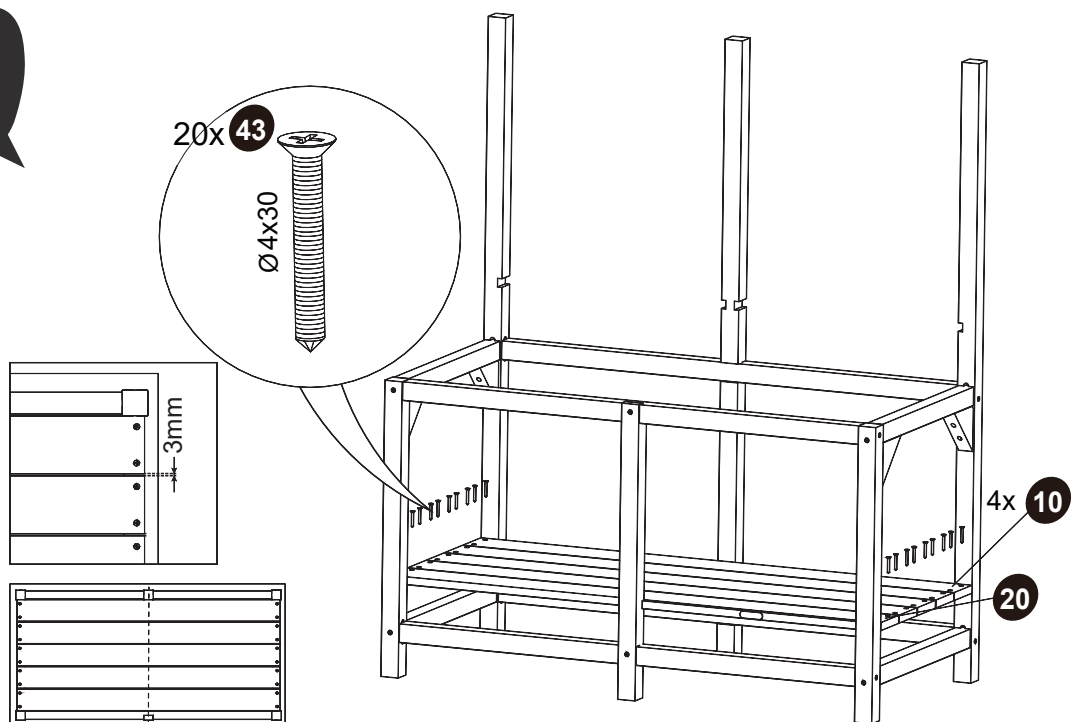
5



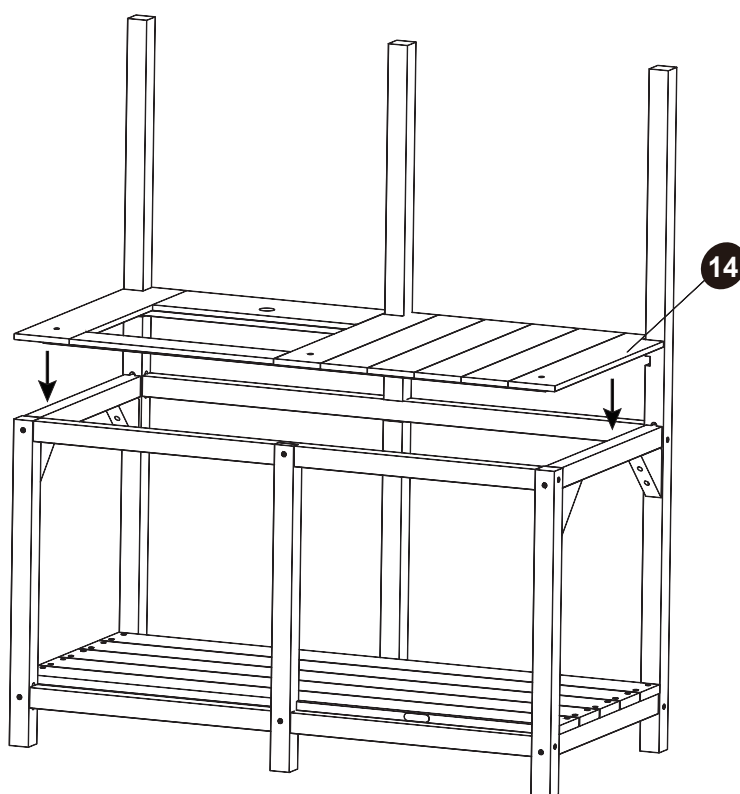
6



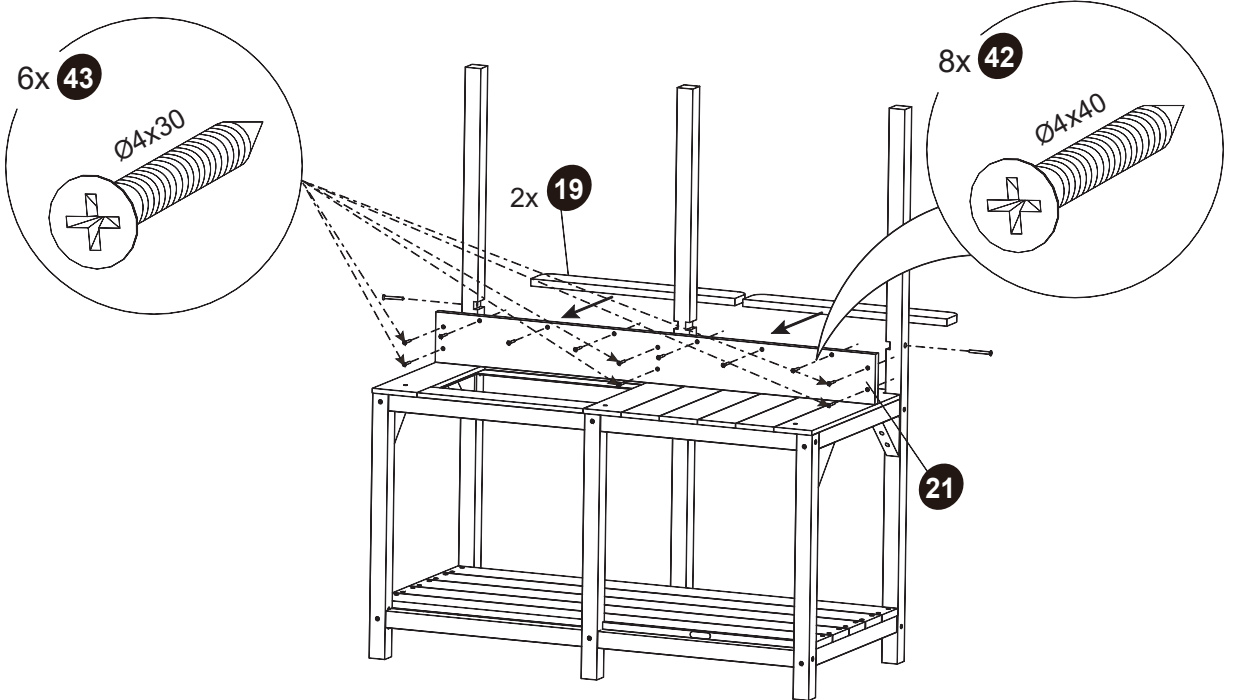
7



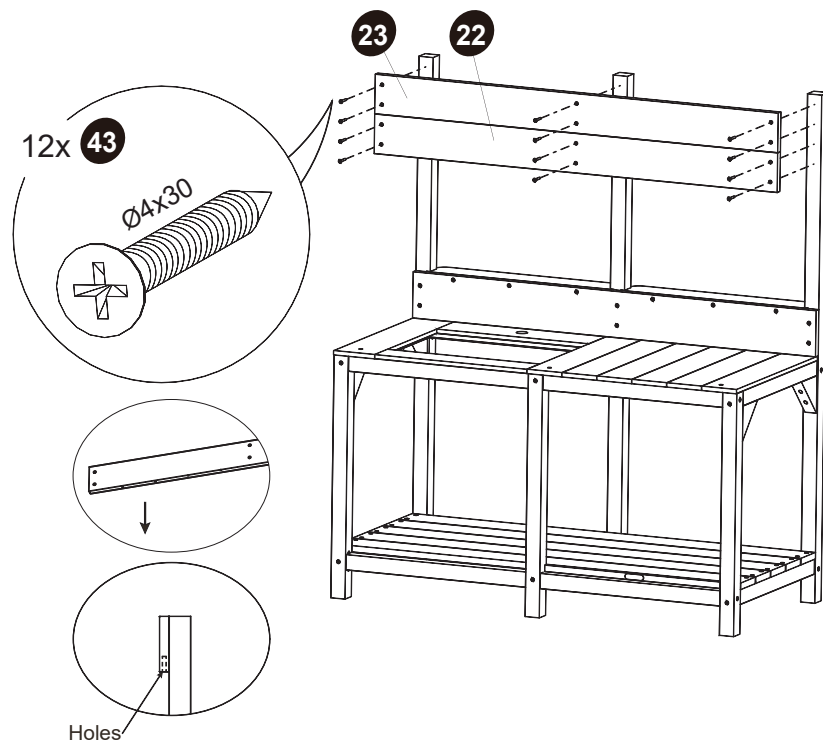
8



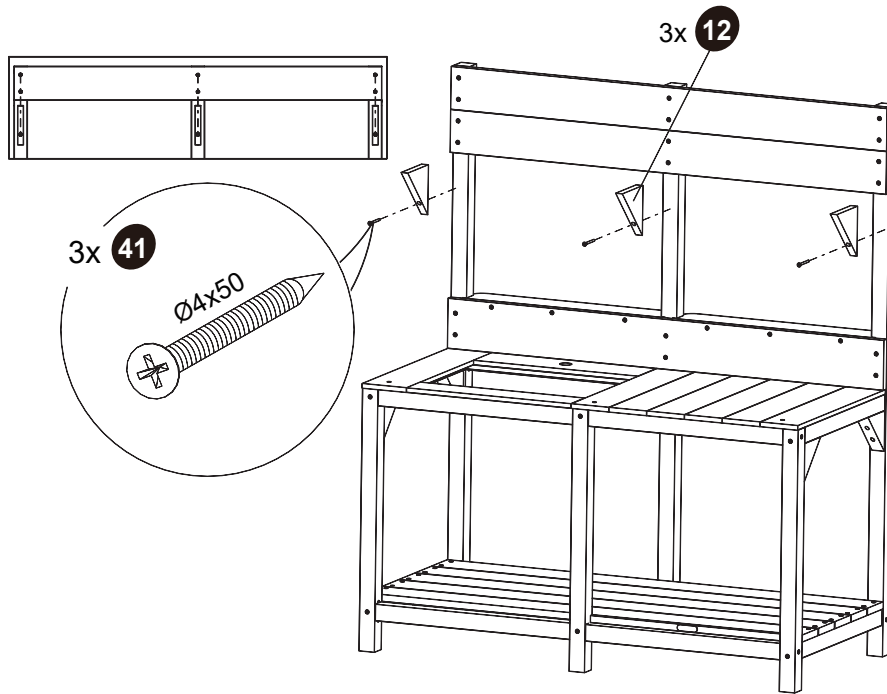
9



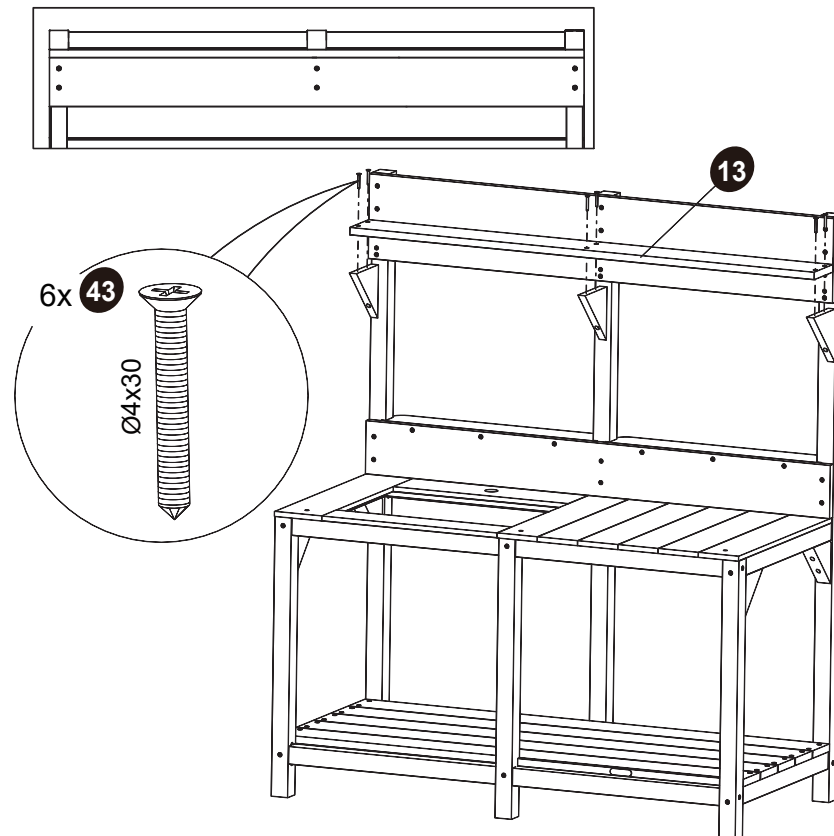
10



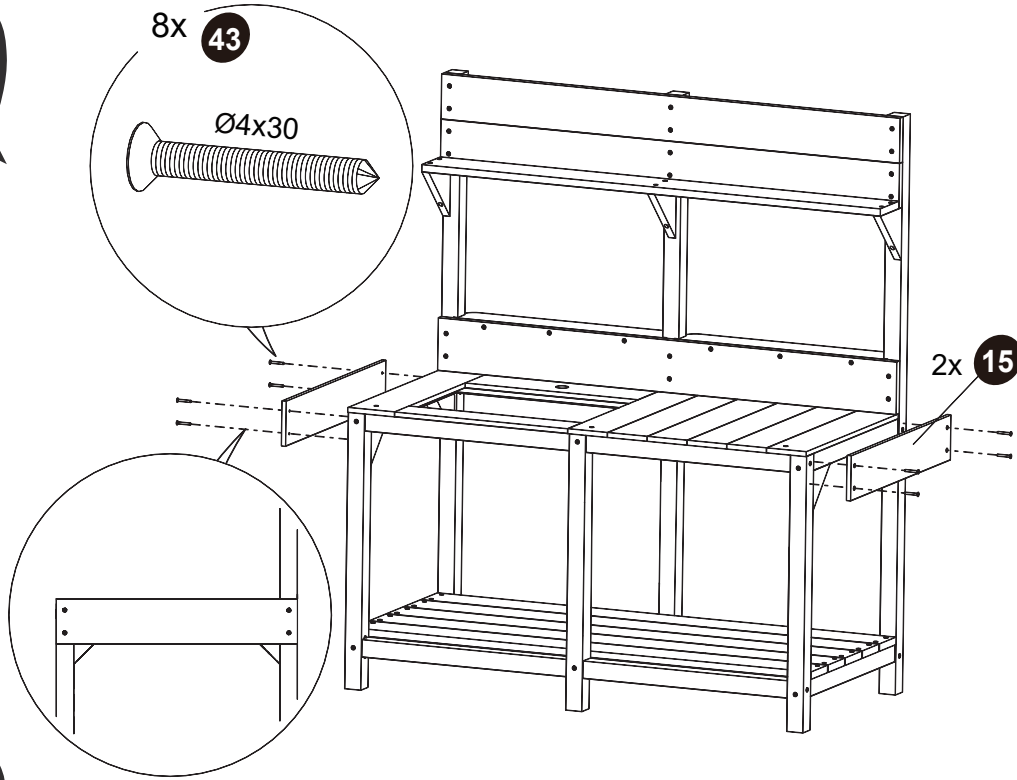
11



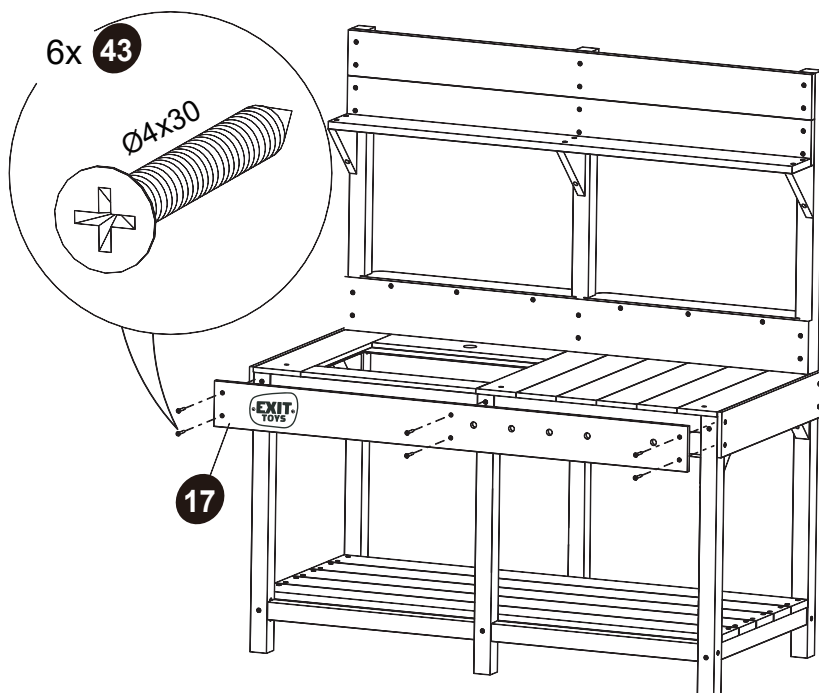
12



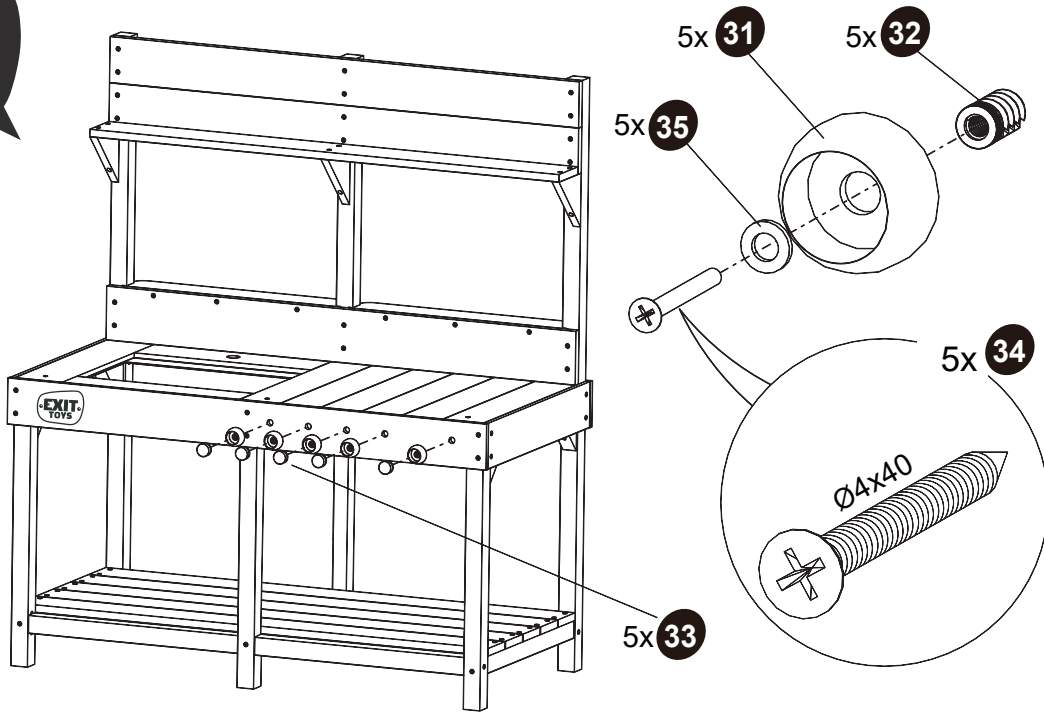
13



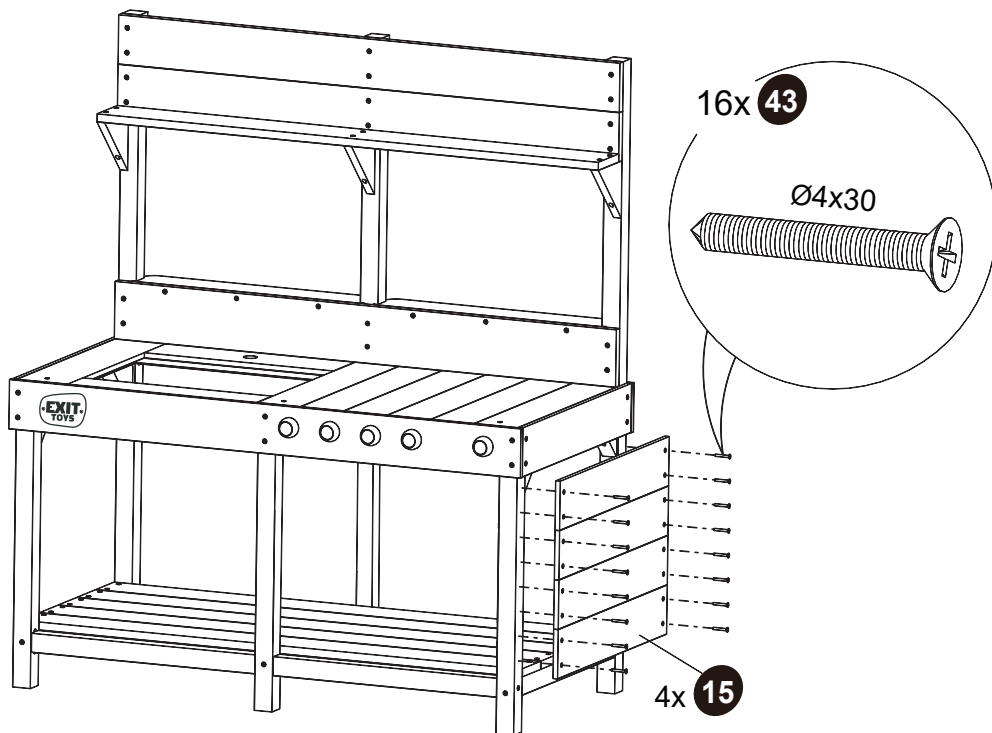
14



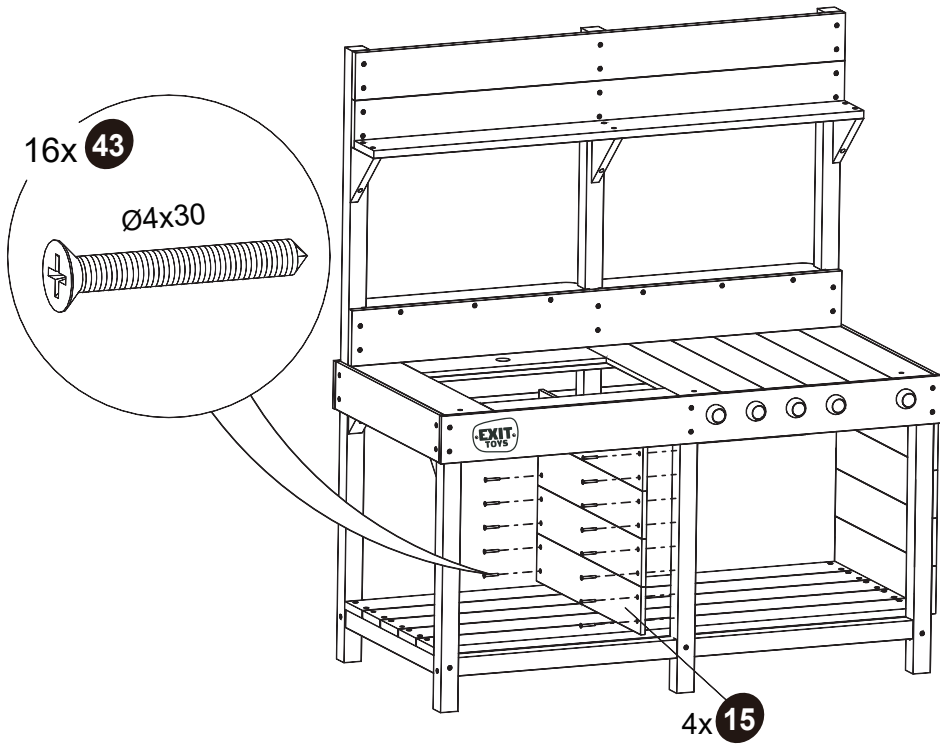
15



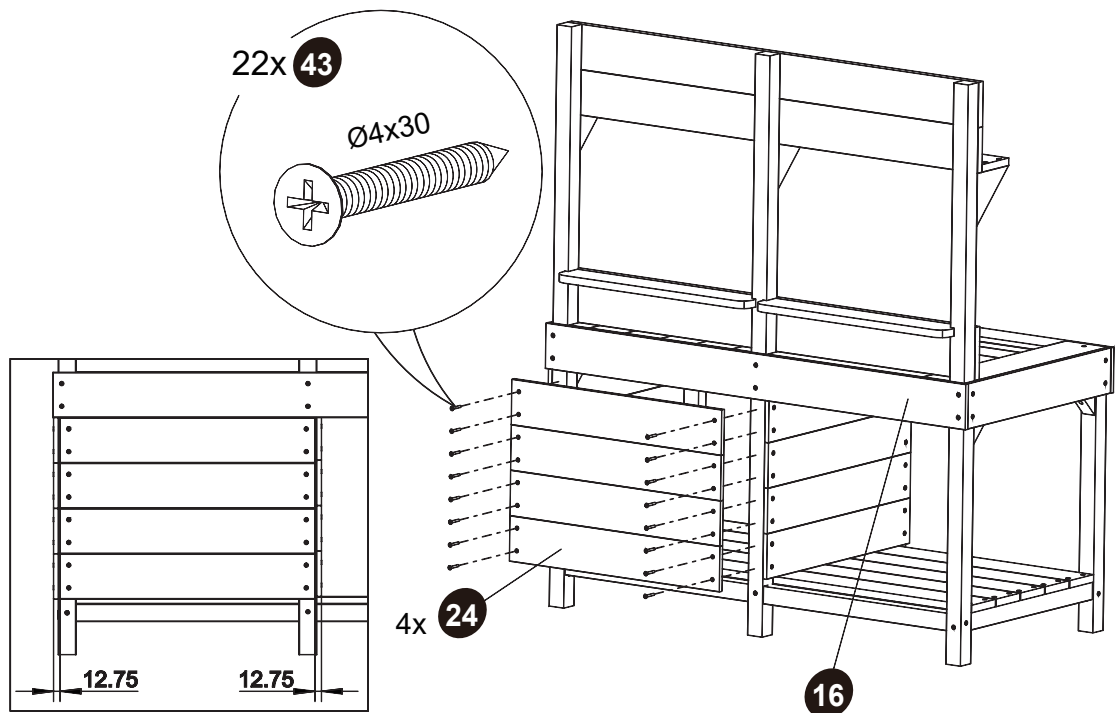
16

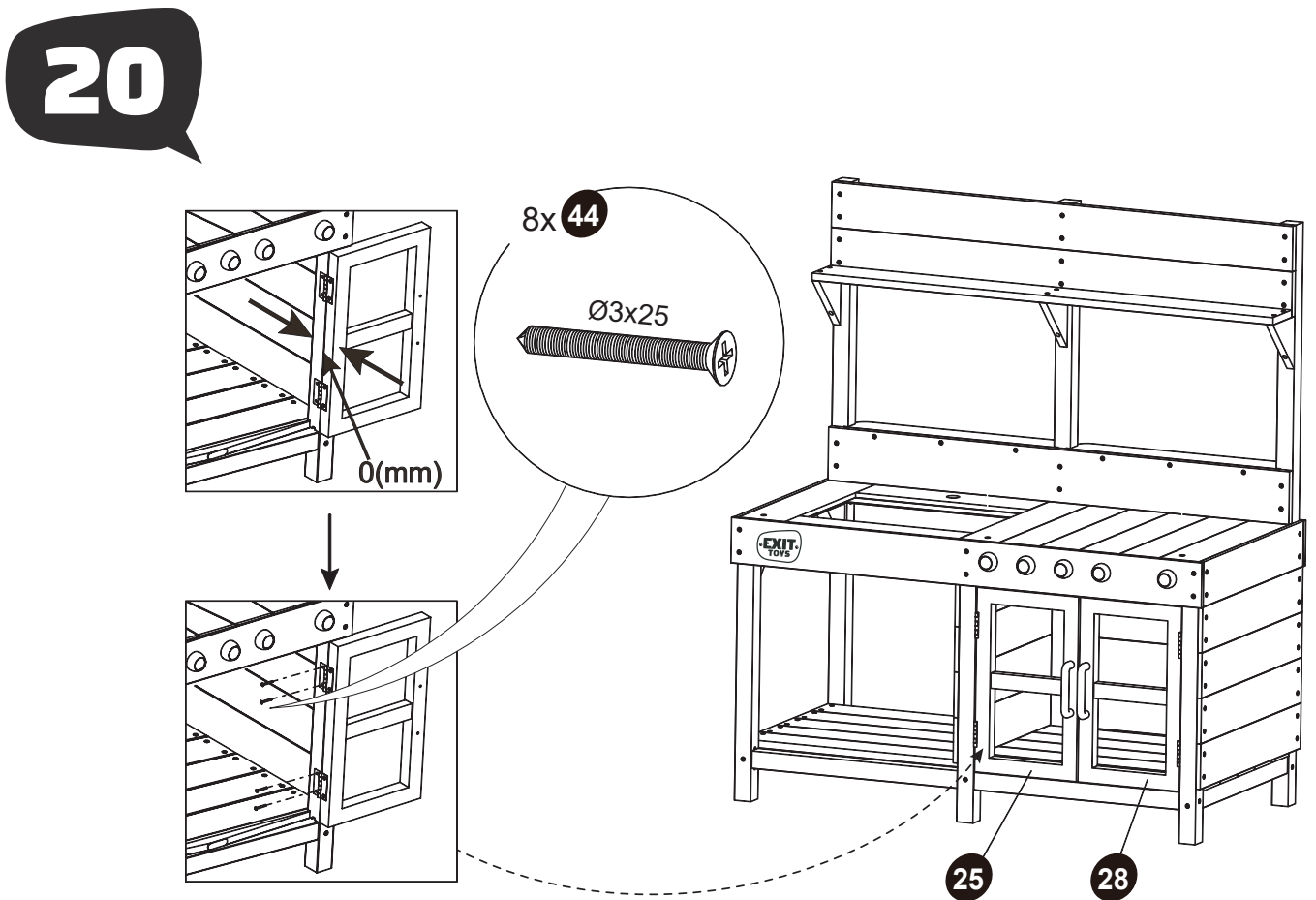
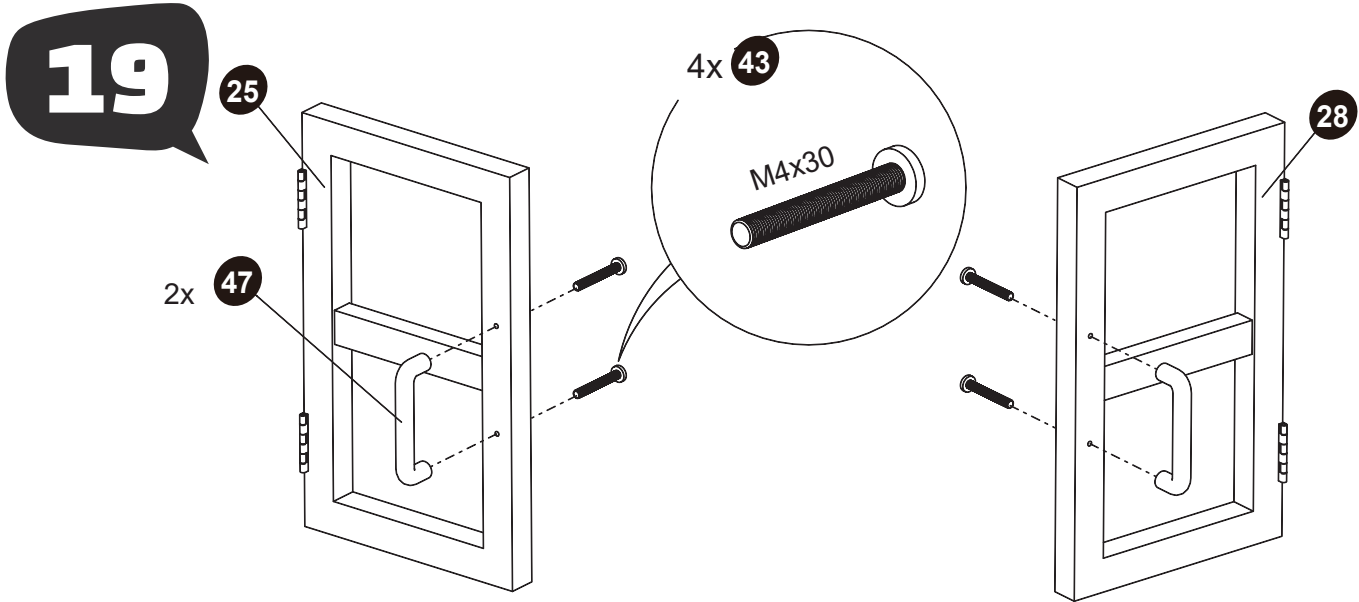


17

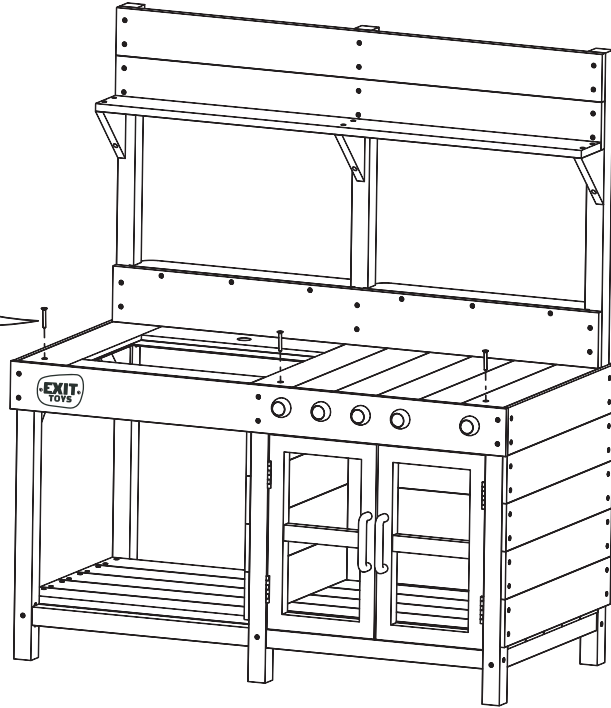
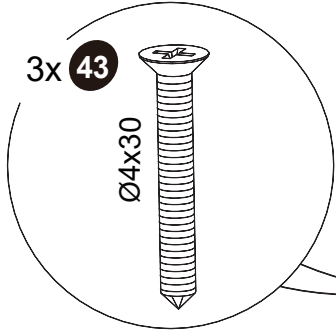


18

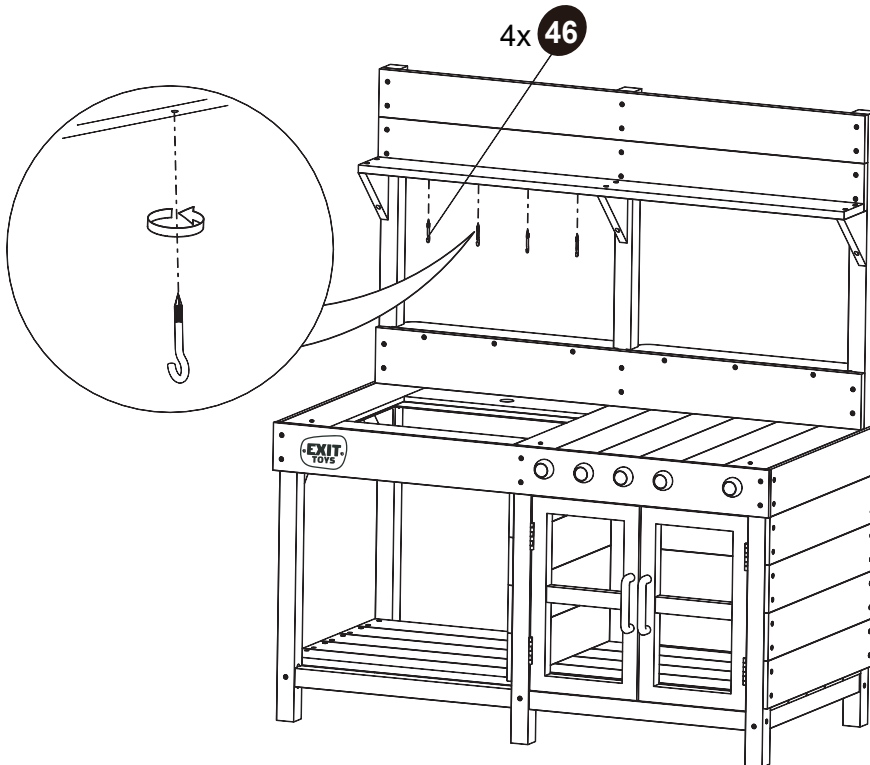




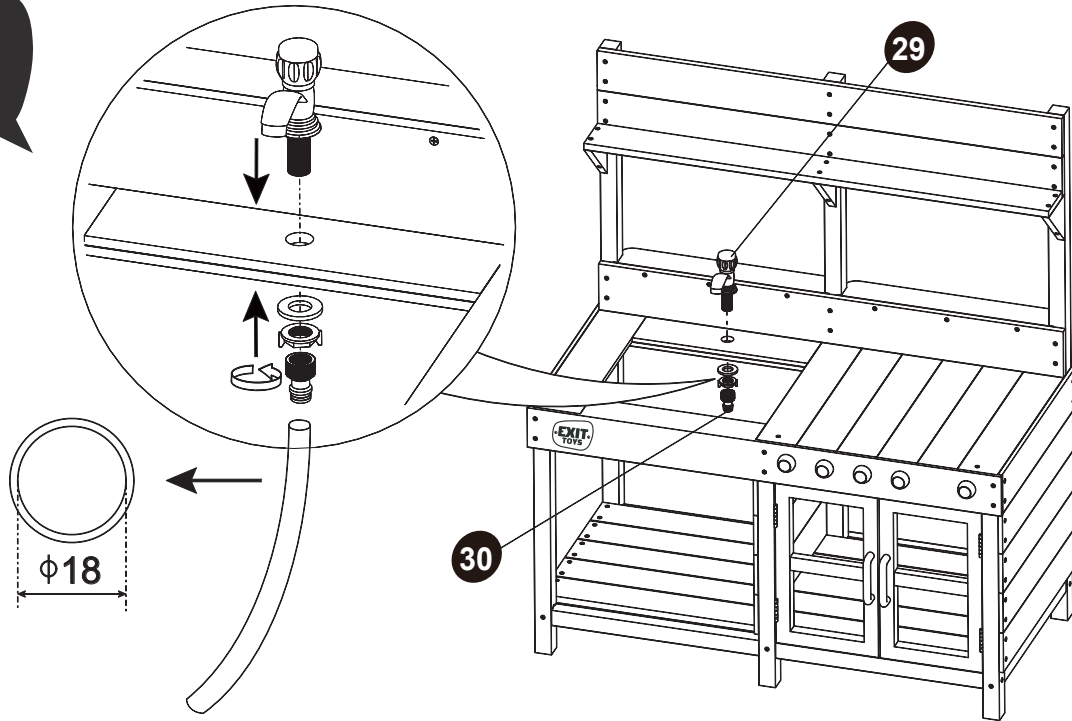
21



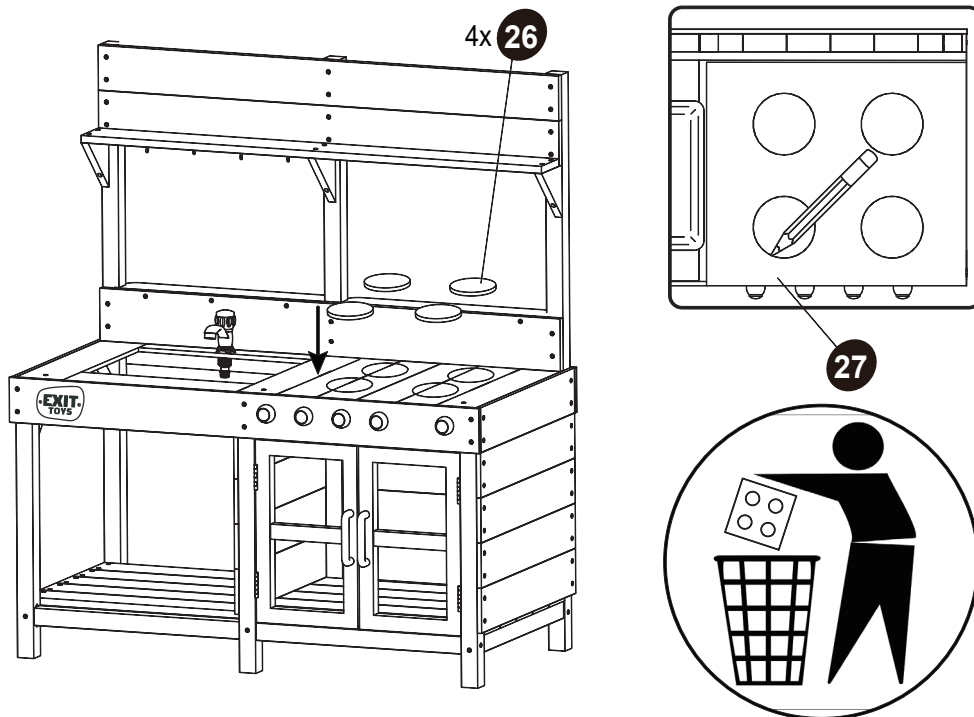
22

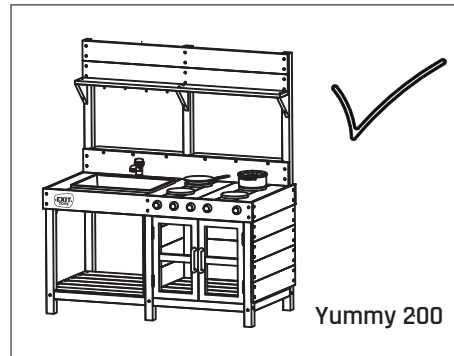
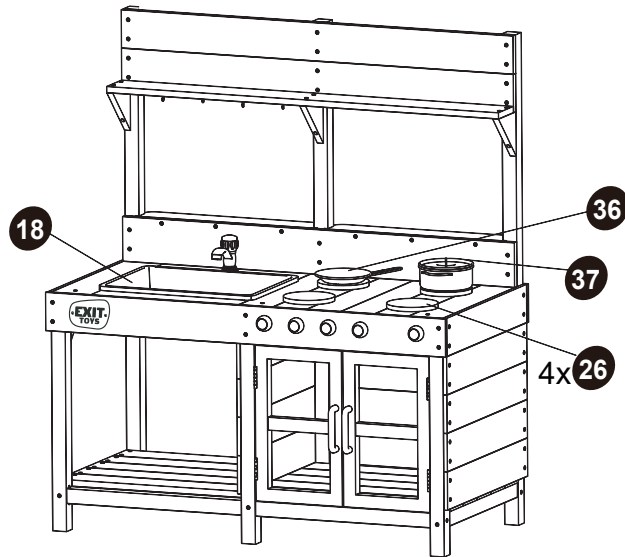


23



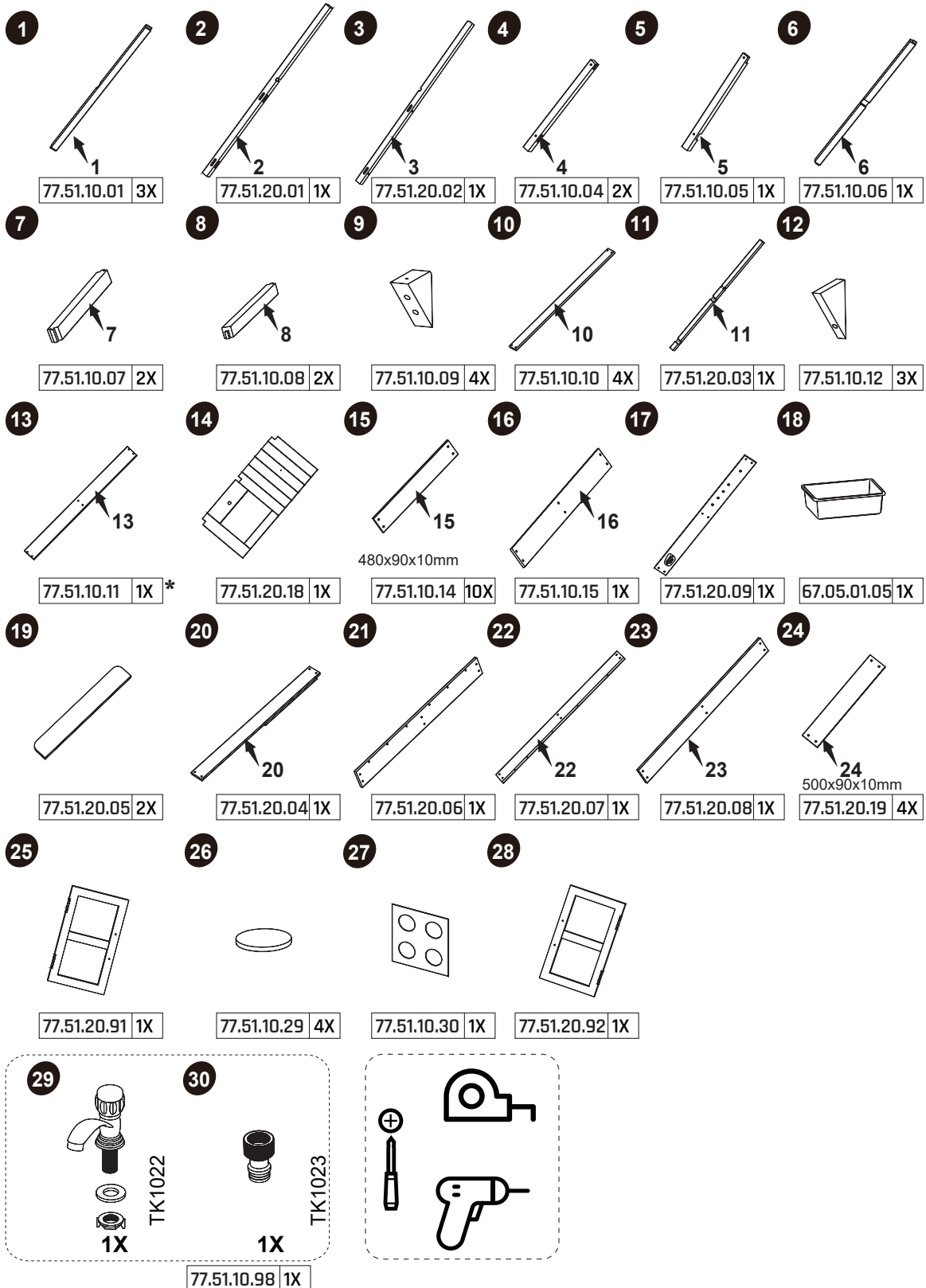
24















Yummy 200

EXIT Yummy Outdoor Play Kitchen 300










31  5X TK1020	32  5X TK1021	33  5X TK1019	34  5X Ø4x40mm CO0602	35  5X Ø6 CO0402
---	---	---	--	---

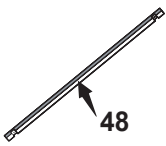
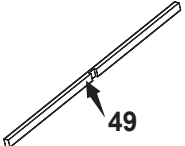


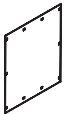

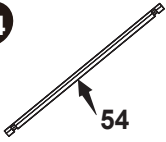


77.51.20.94 1X

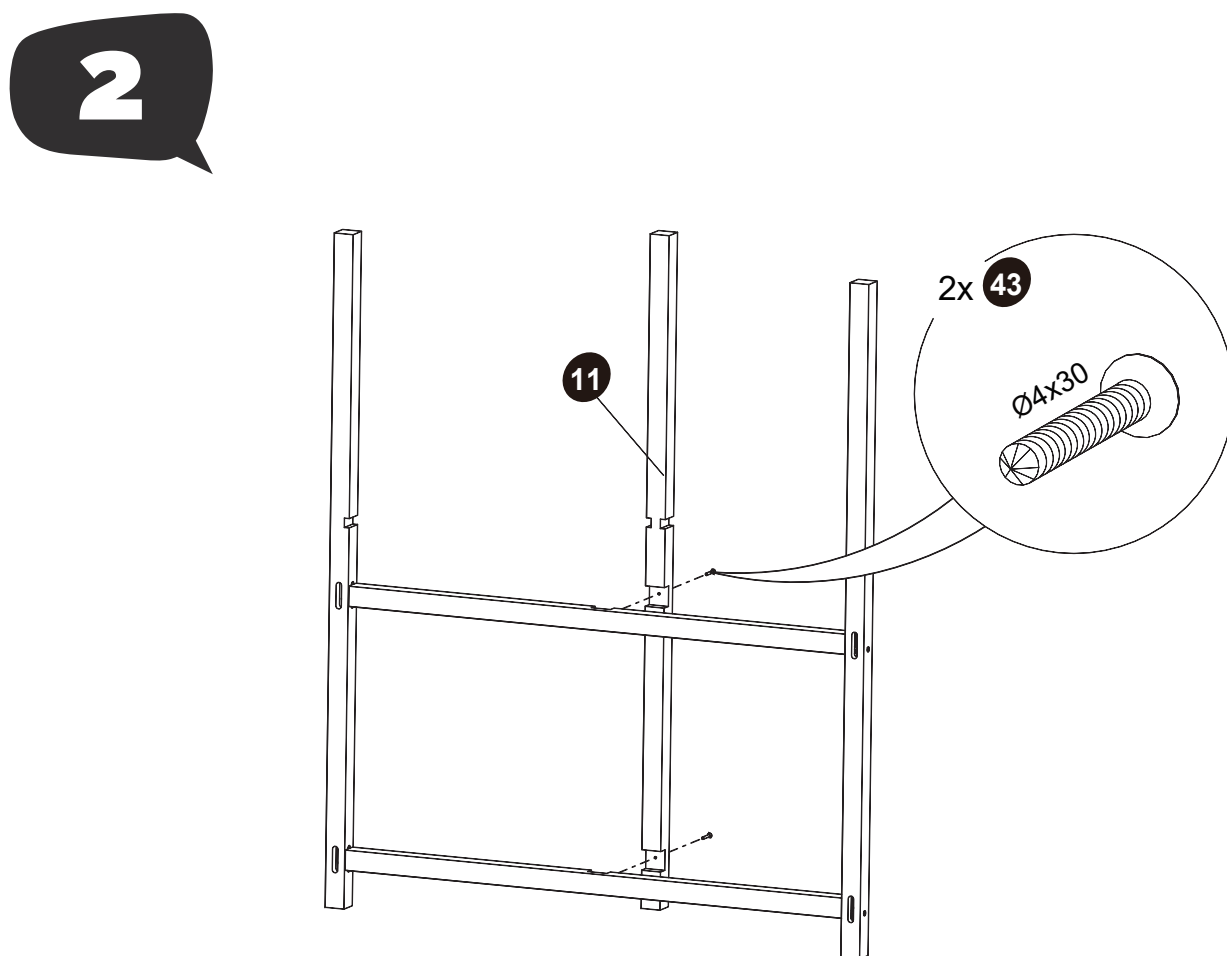
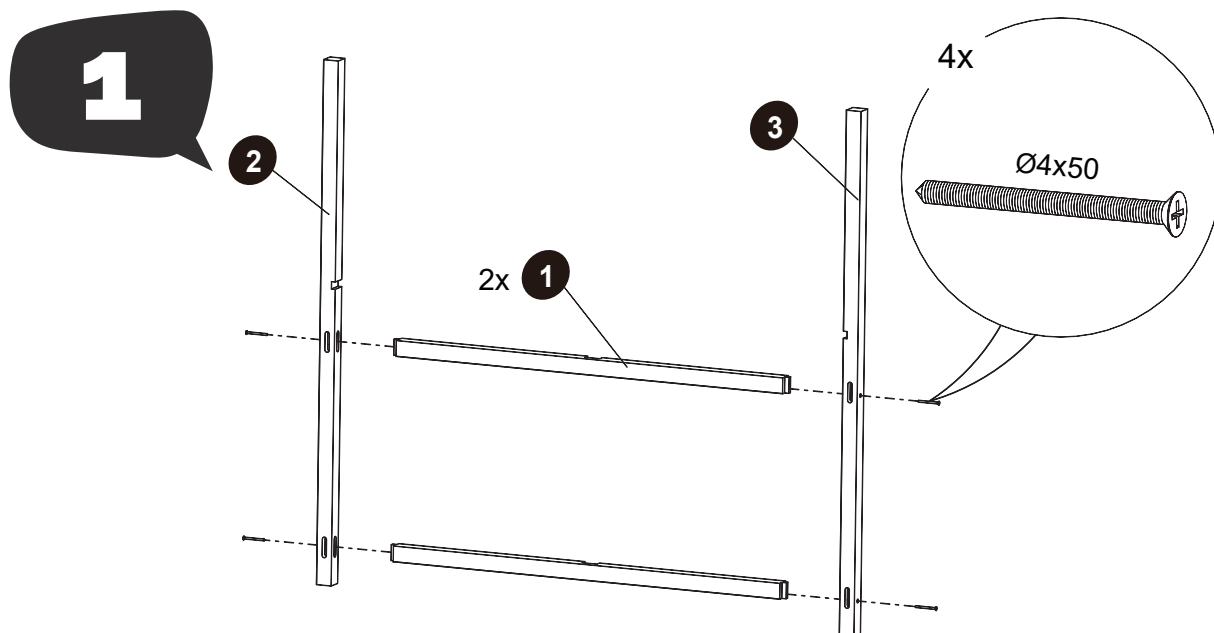
36  1X TK1024	37  1X TK1025	38  1X TK1027	39  1X TK1028	40  1X TK1031
---	---	---	---	---

77.51.10.00 1X

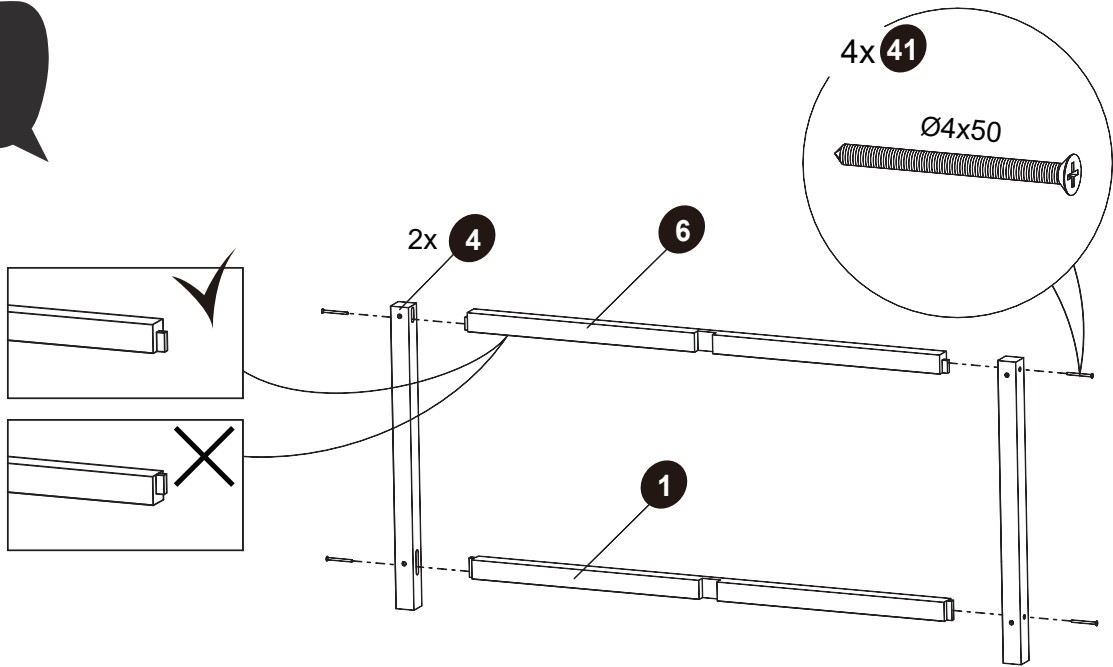
41  31X Ø4x50mm CO0605	42  8X Ø4x40mm CO0602	43  133X Ø4x30mm CO0601	44  8X Ø3x25mm CO0611	45  4X M4x30mm CO0112
46  6X TK1018	47  2X TK2015			

77.51.90.08 1X

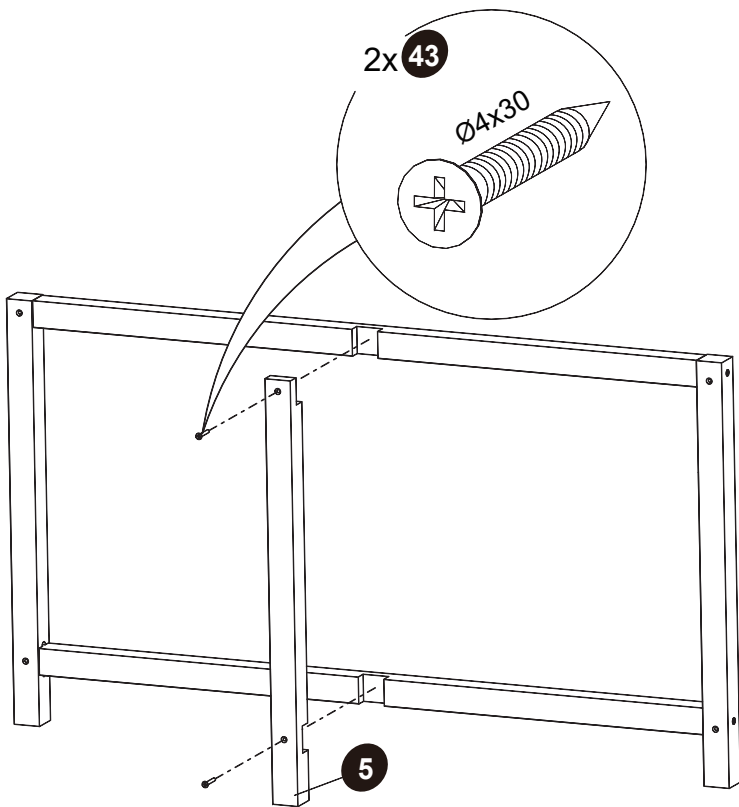
48  48 77.51.30.03 2X	49  49 77.51.30.04 2X	50  50 77.51.30.05 2X	51  51 77.51.30.06 2X	52  52 77.51.30.02 1X	53  53 77.51.20.16 1X
54  54 77.51.30.33 1X	<p>* BOX REFERENCE: XX.XX.XX PRODUCTION ID: XXX XXX</p>  				



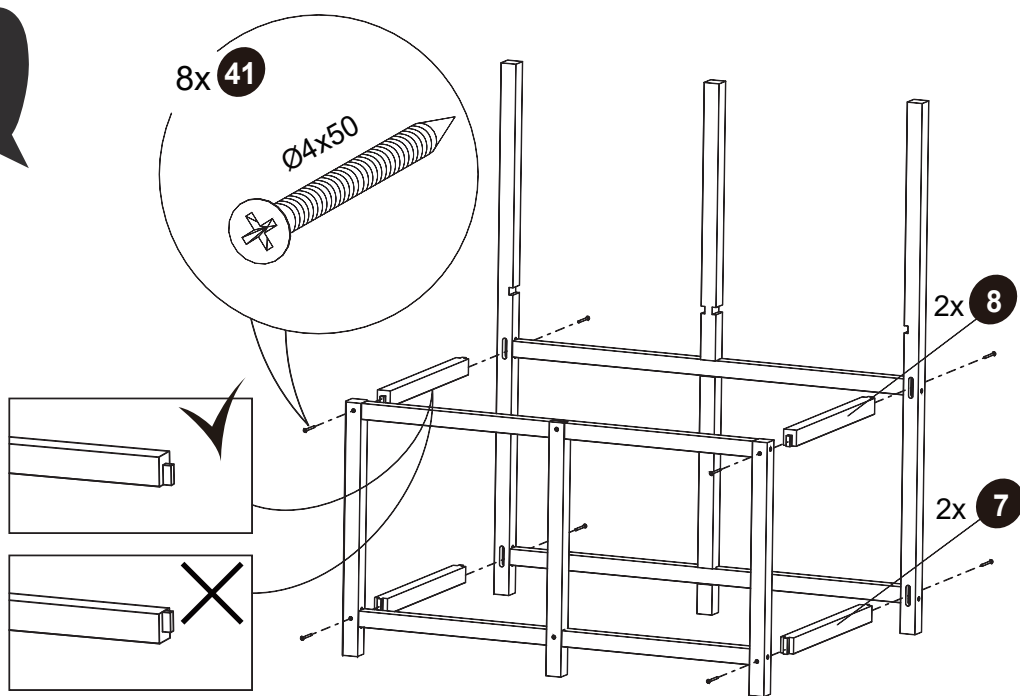
3



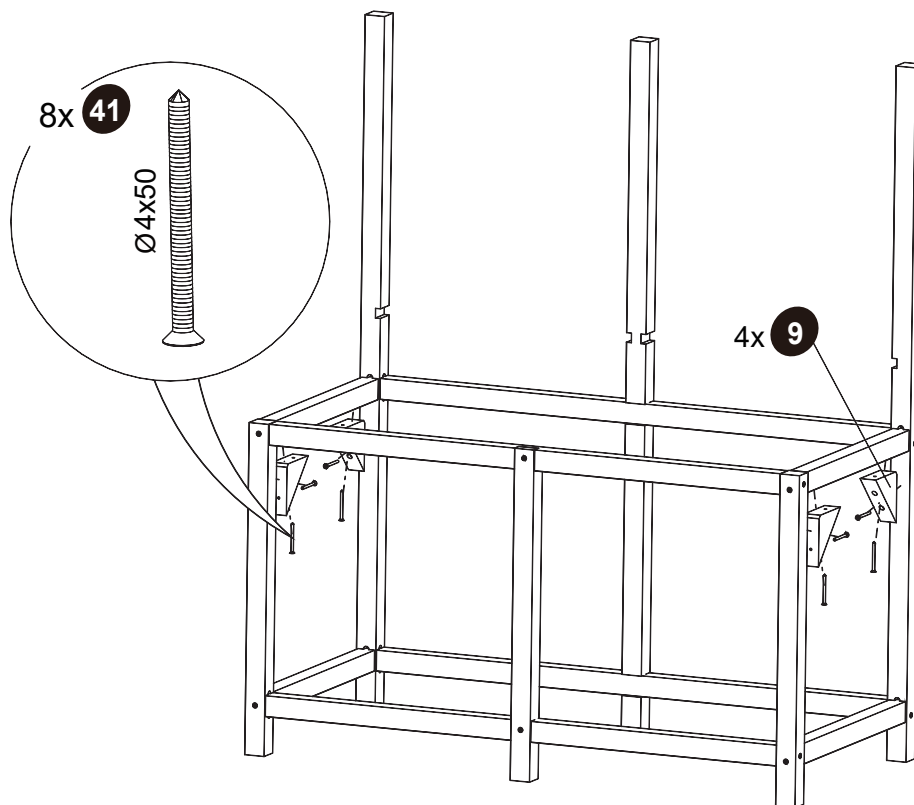
4



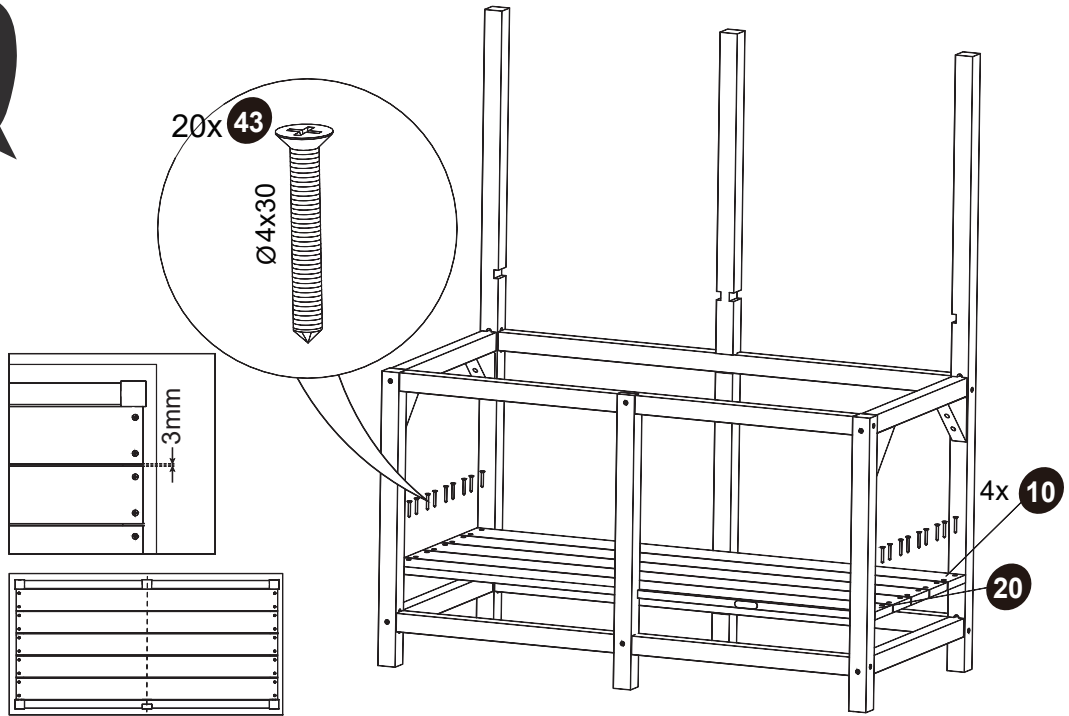
5



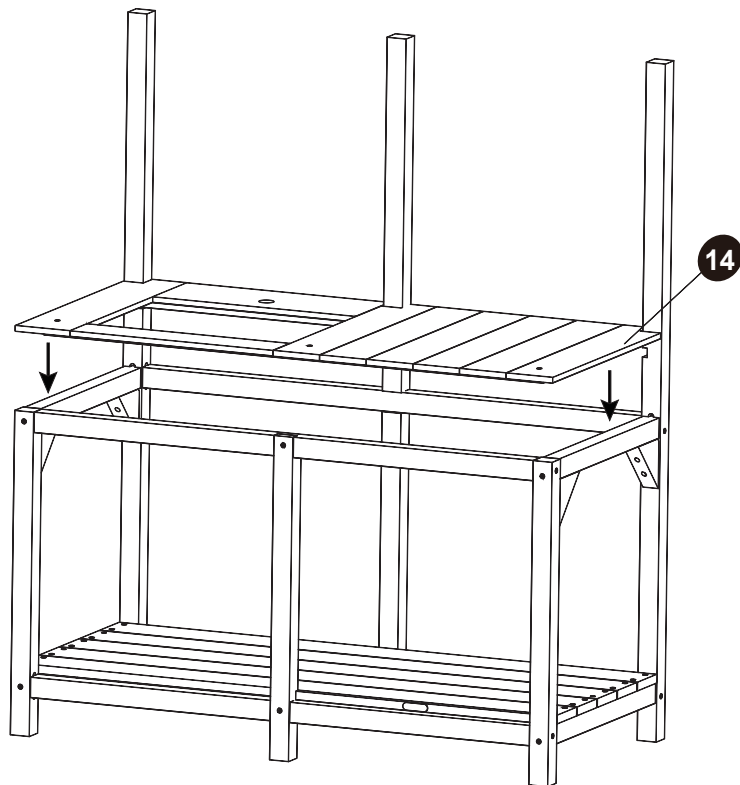
6



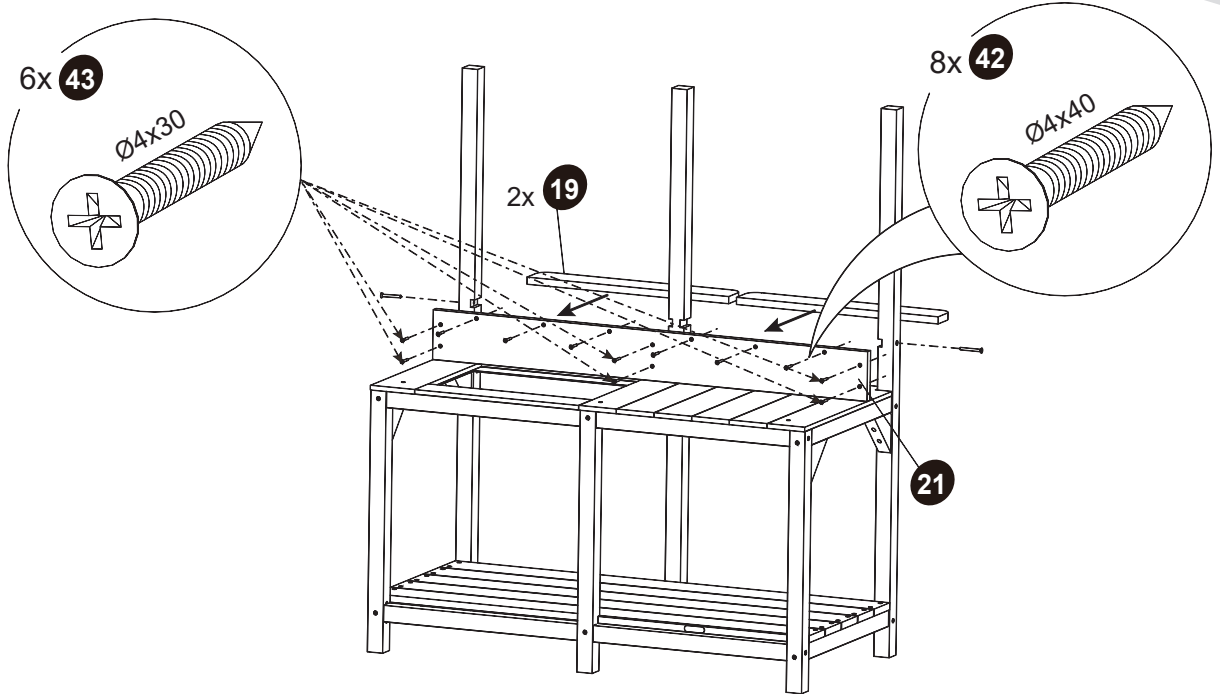
7



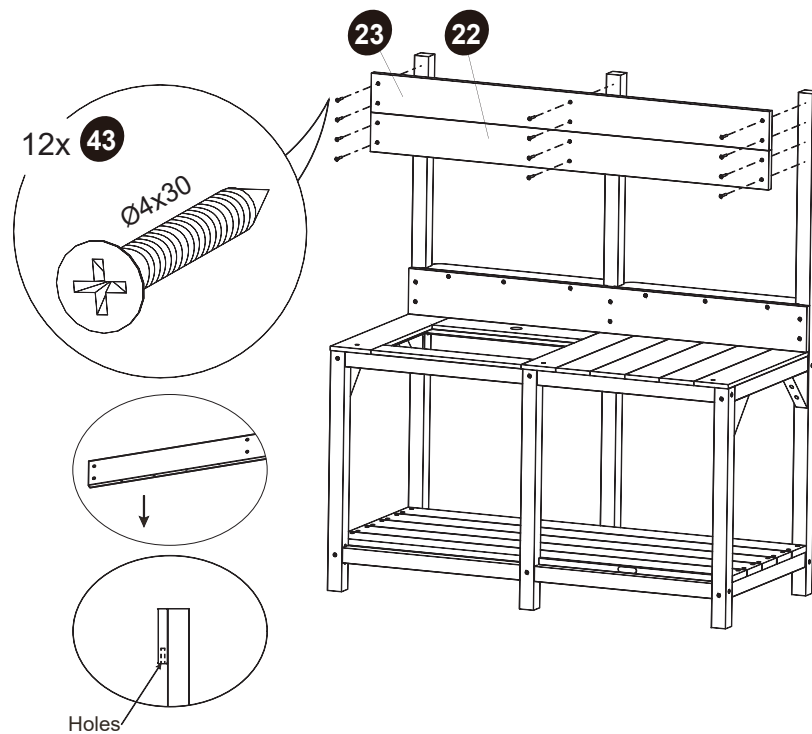
8



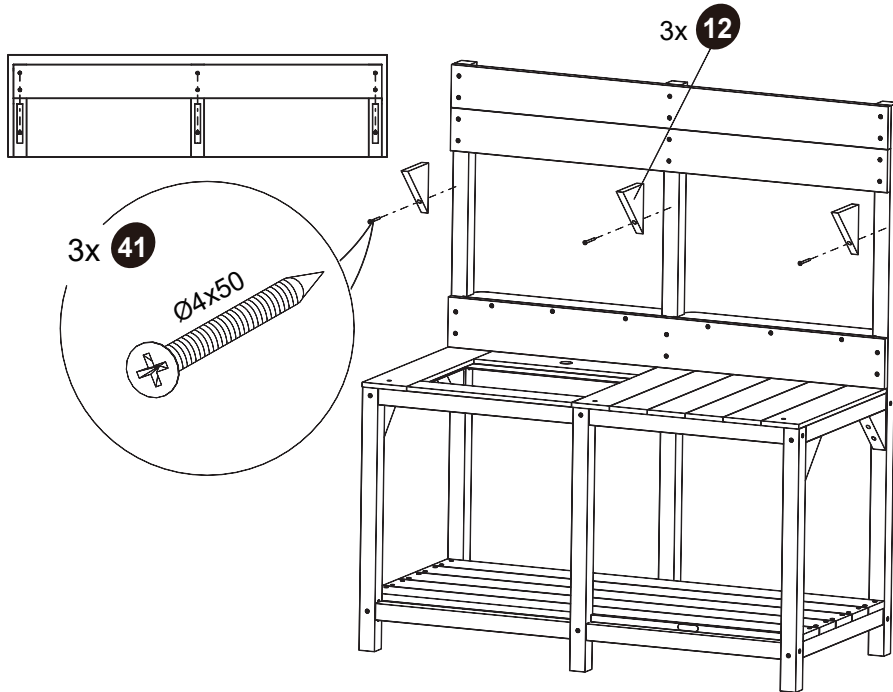
9



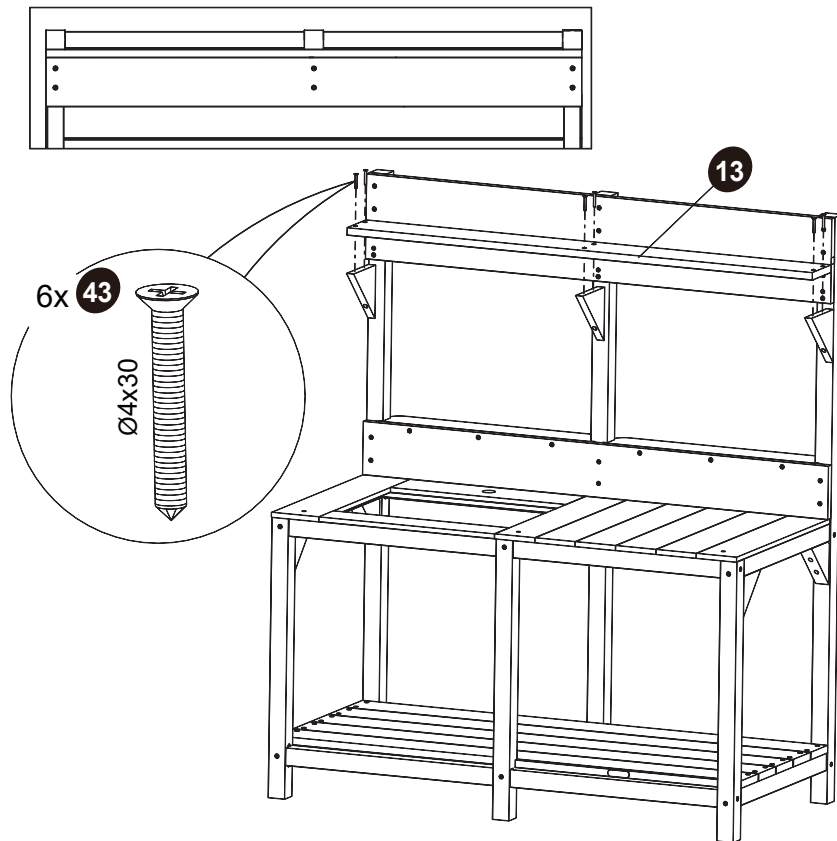
10



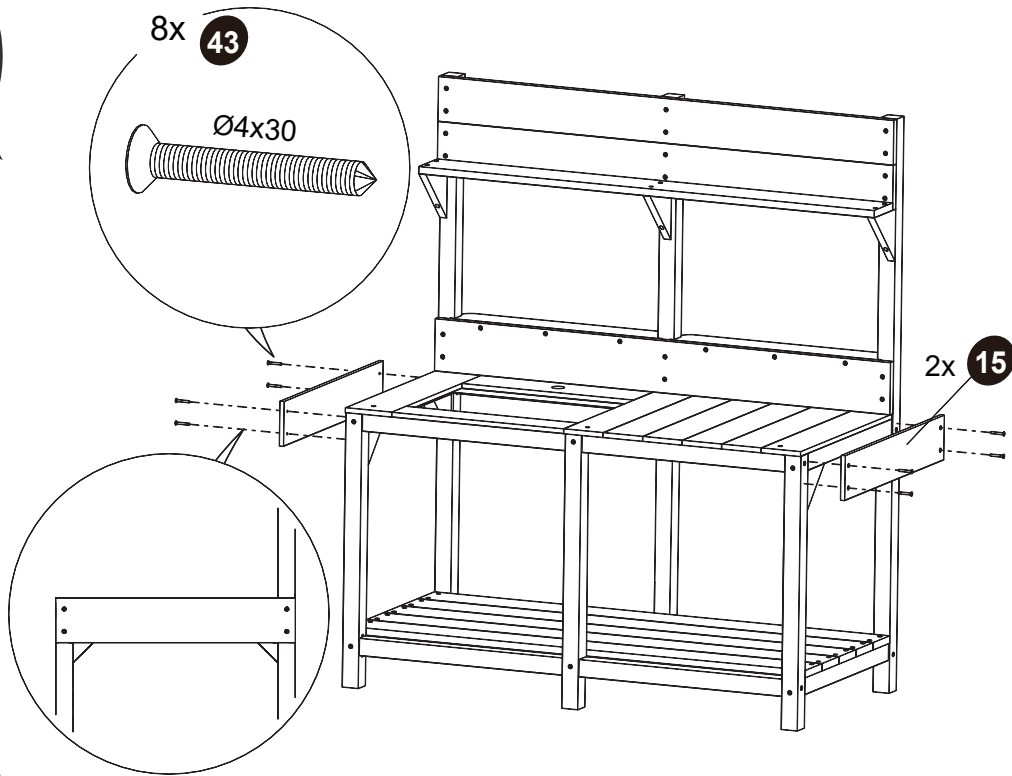
11



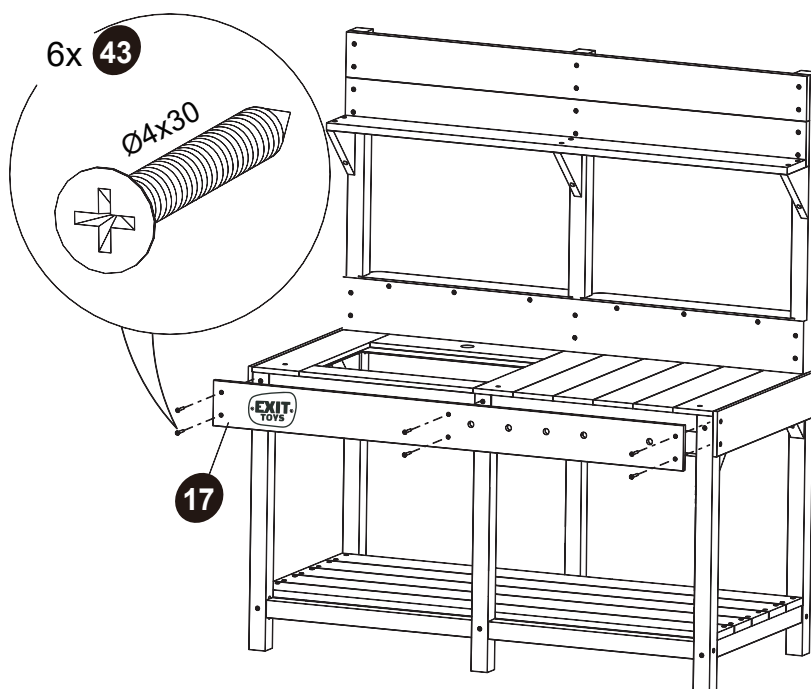
12



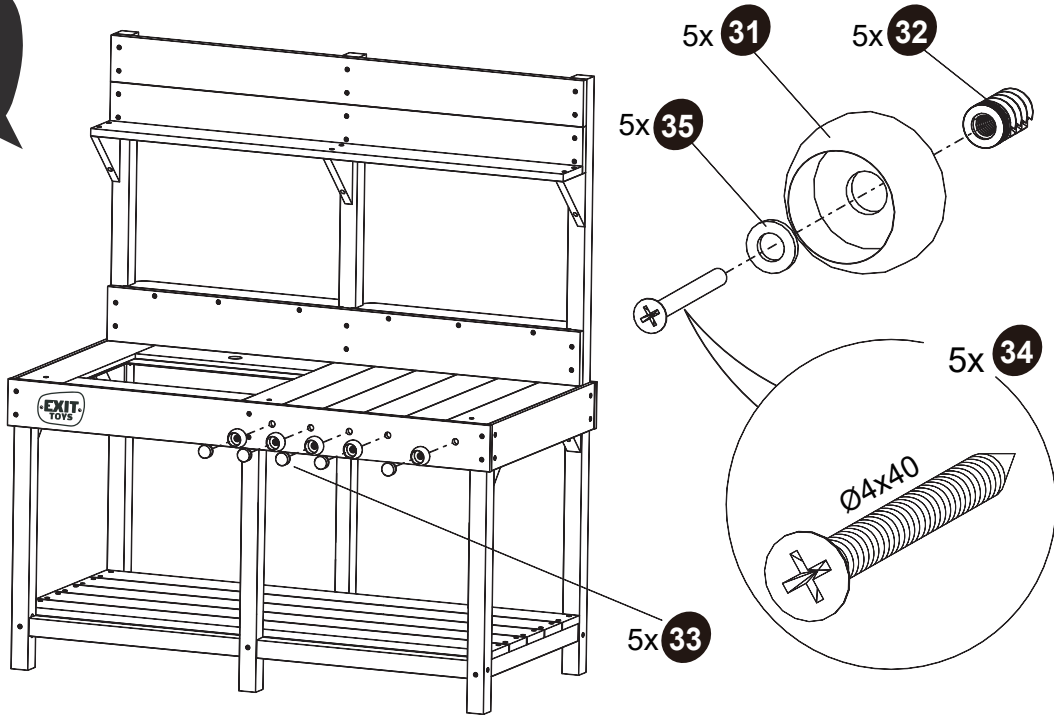
13



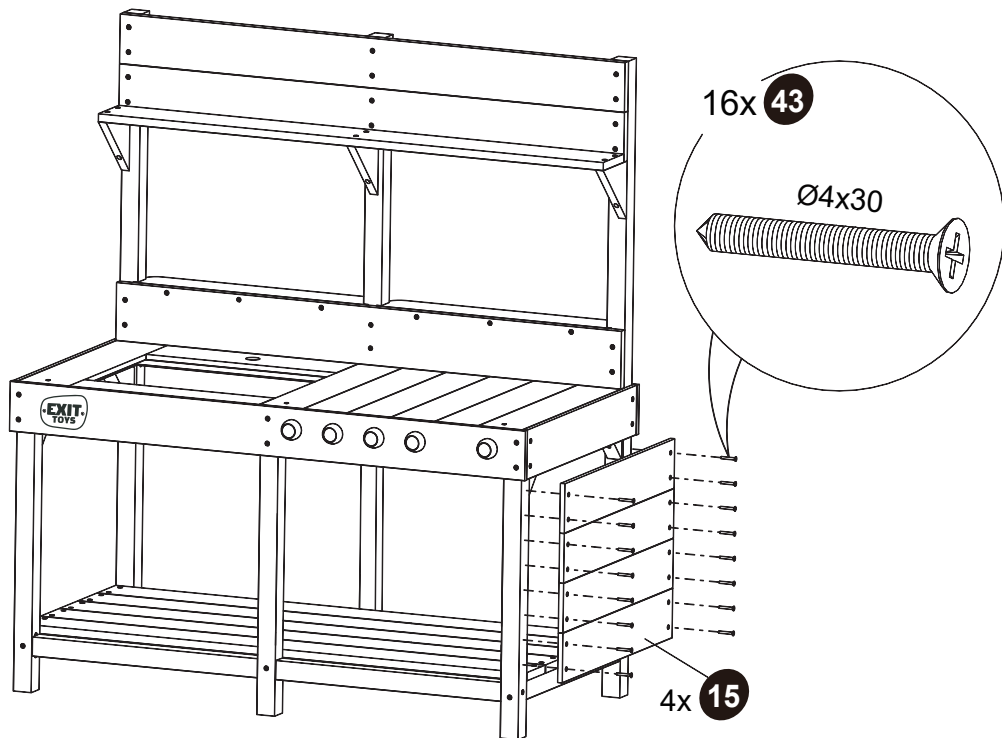
14



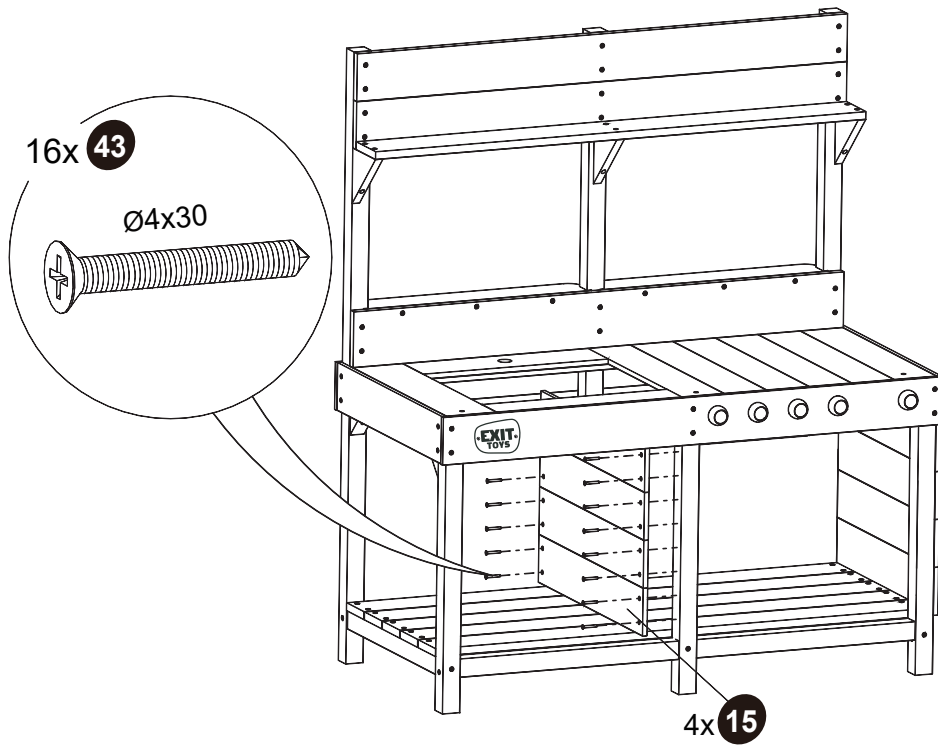
15



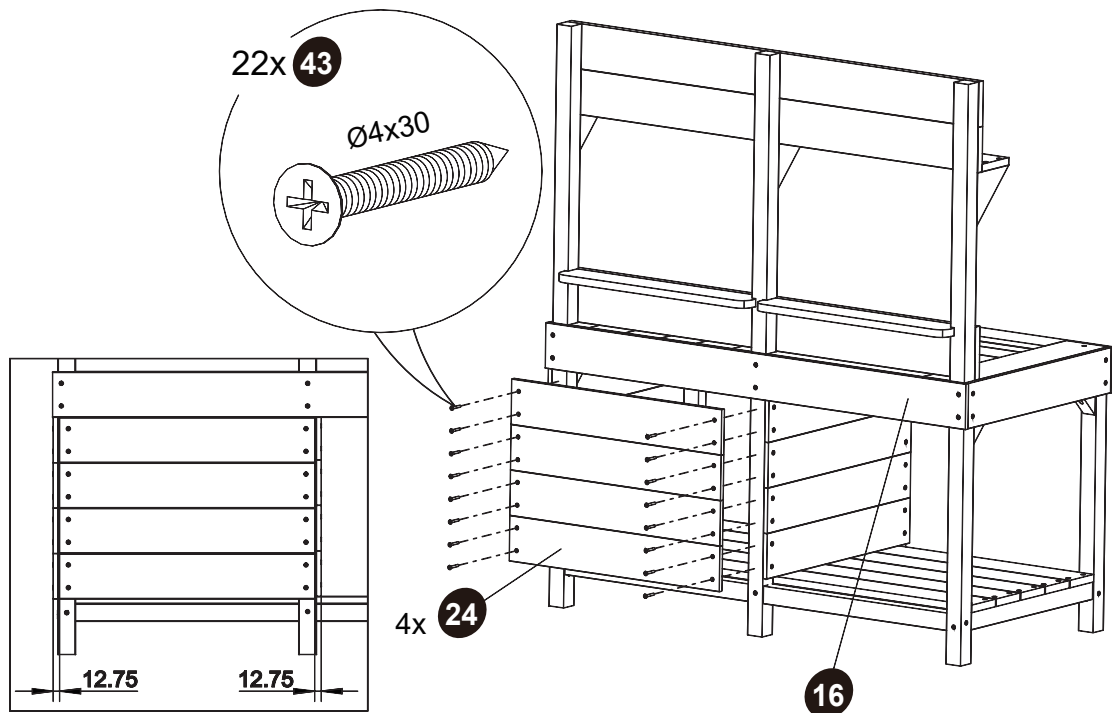
16



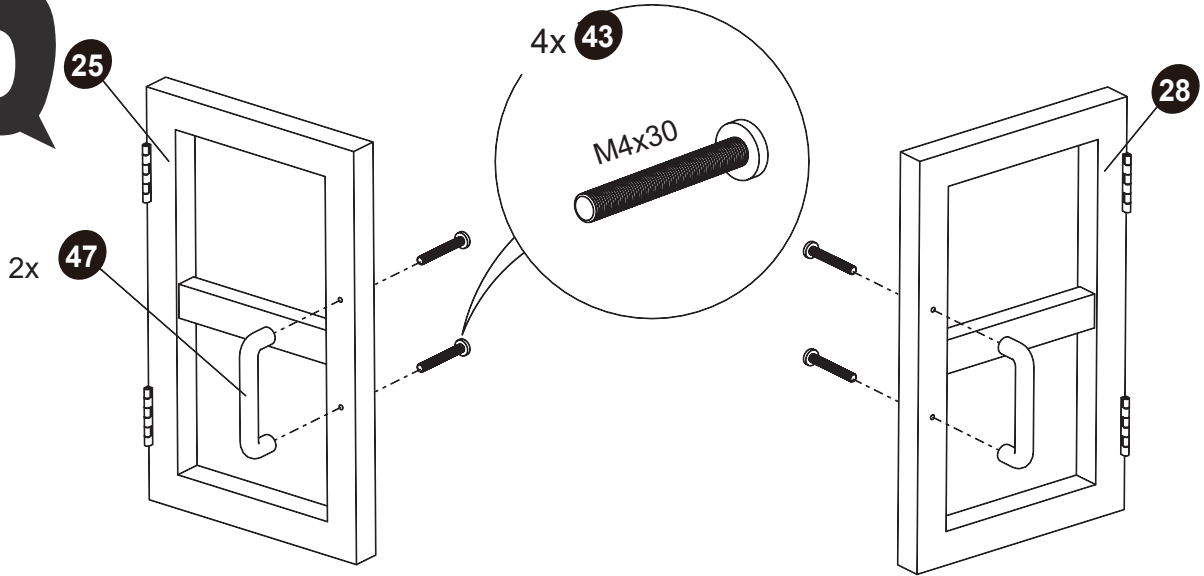
17



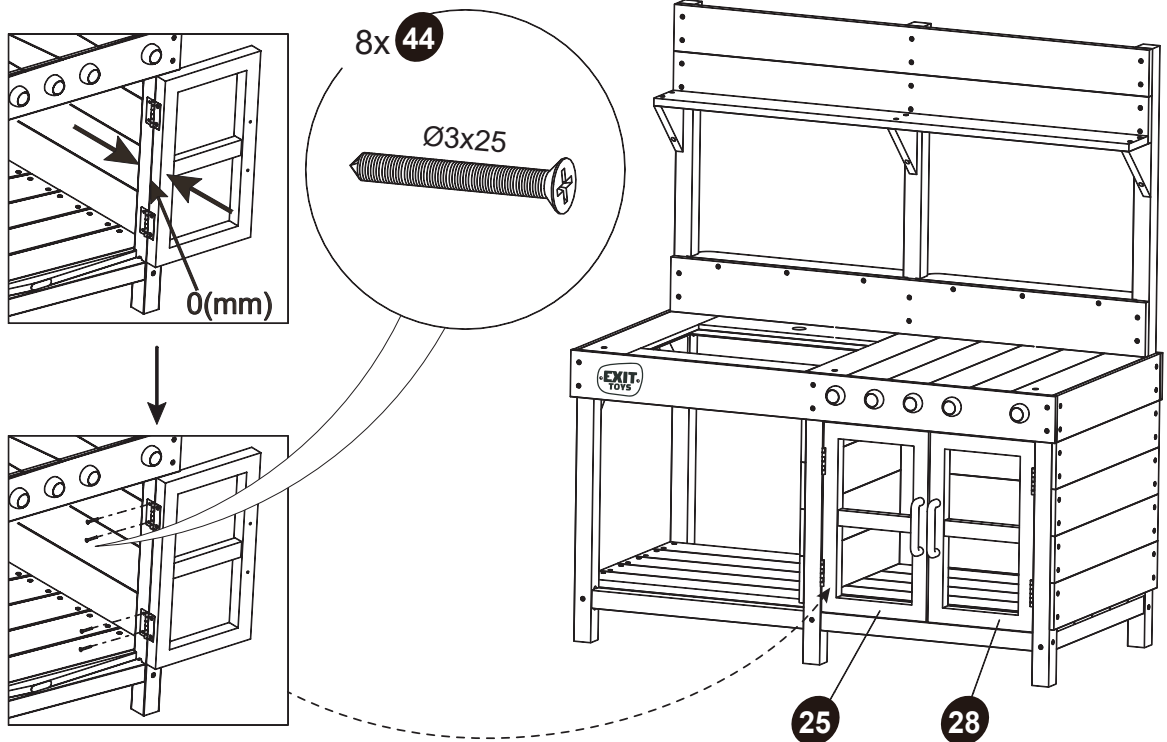
18



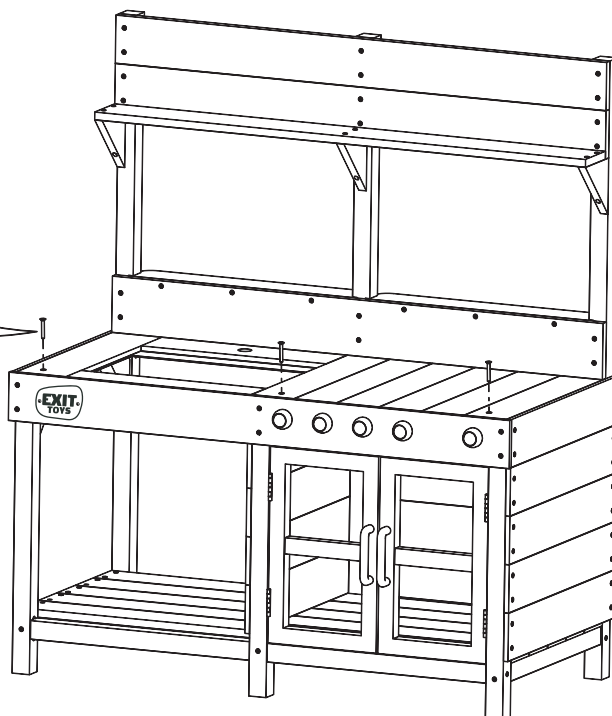
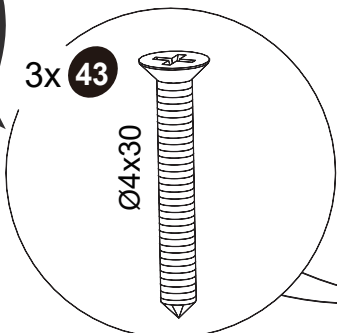
19



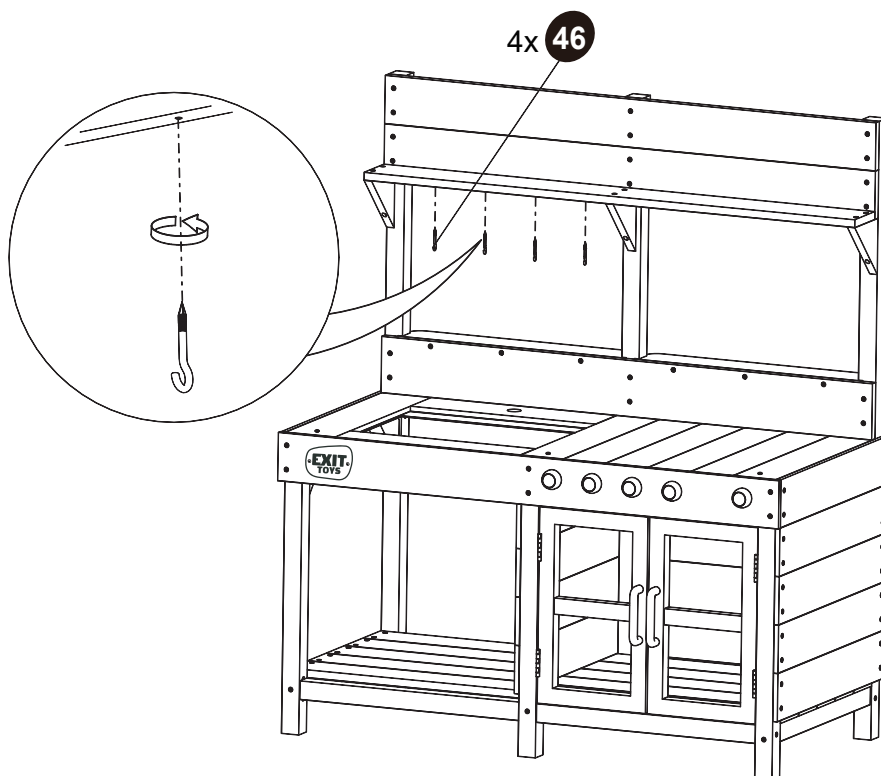
20



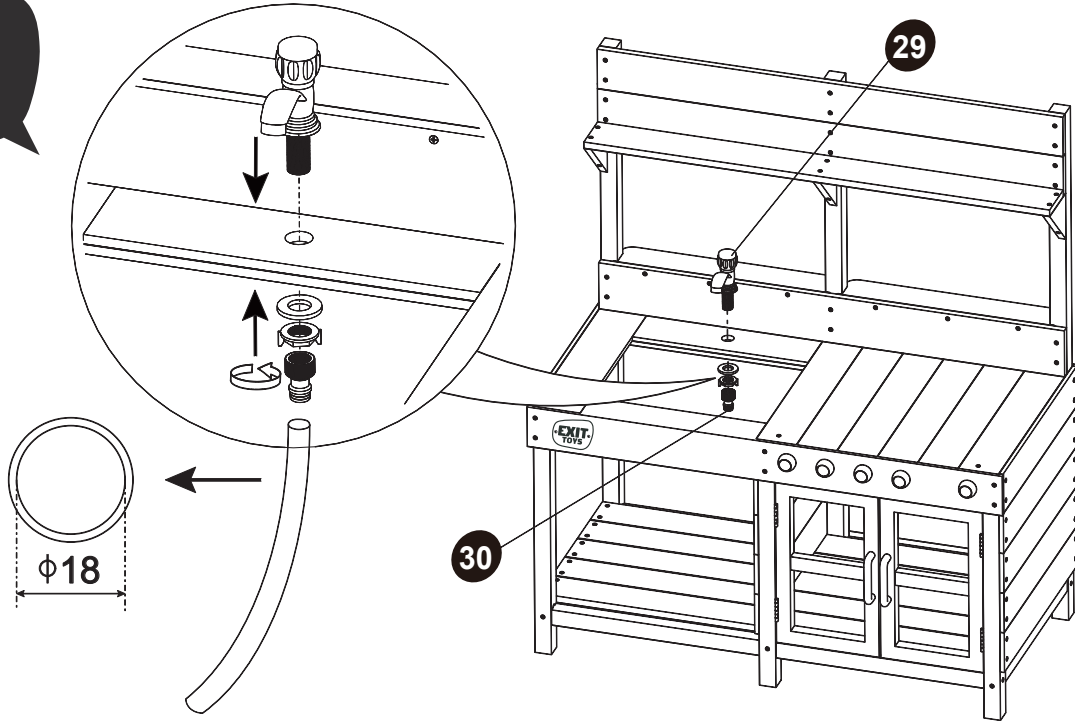
21



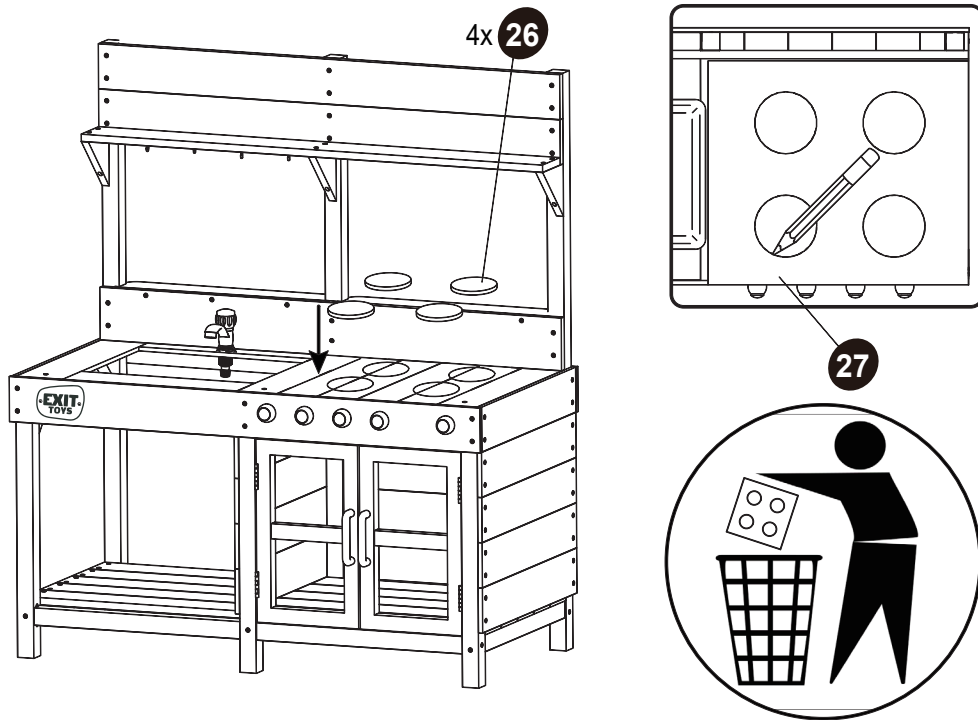
22



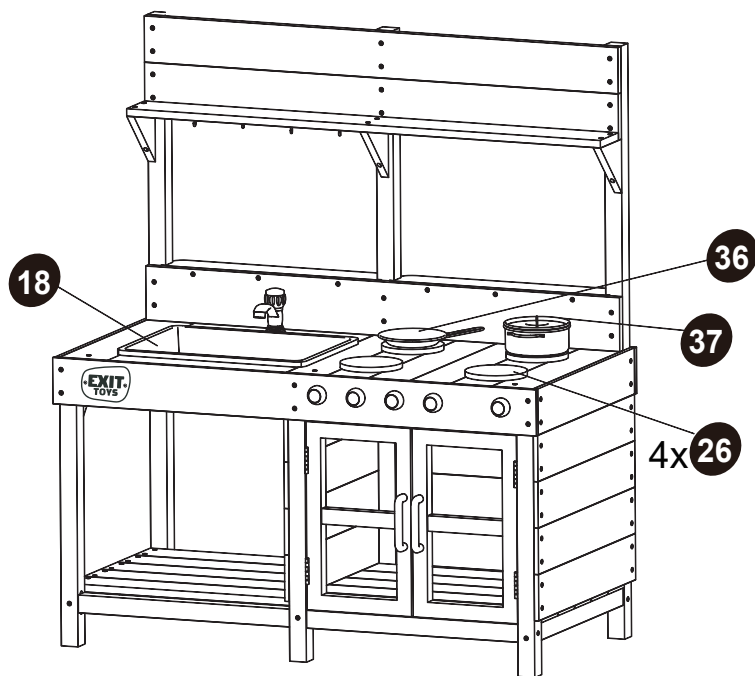
23



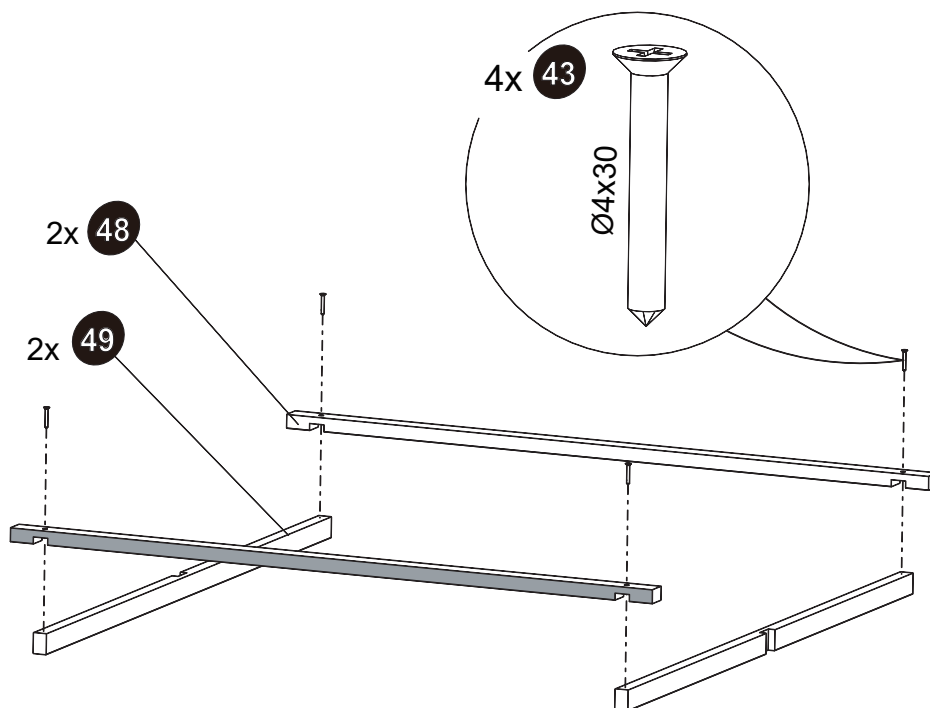
24



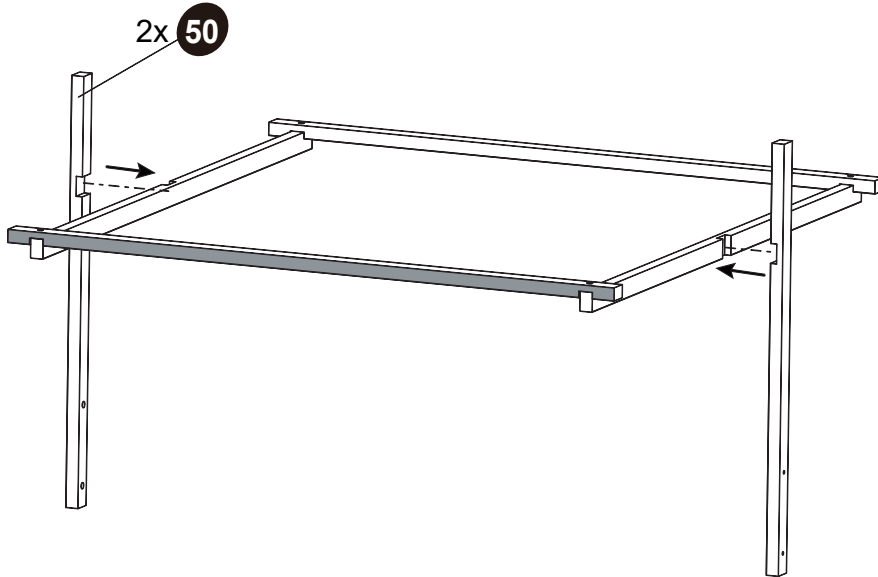
25



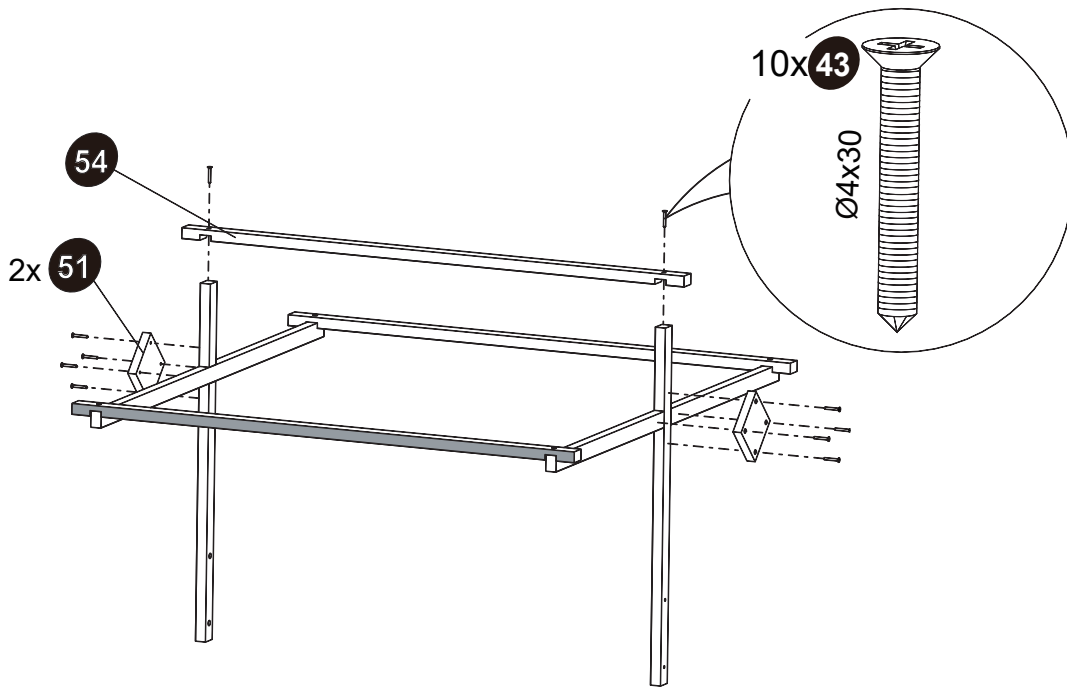
26



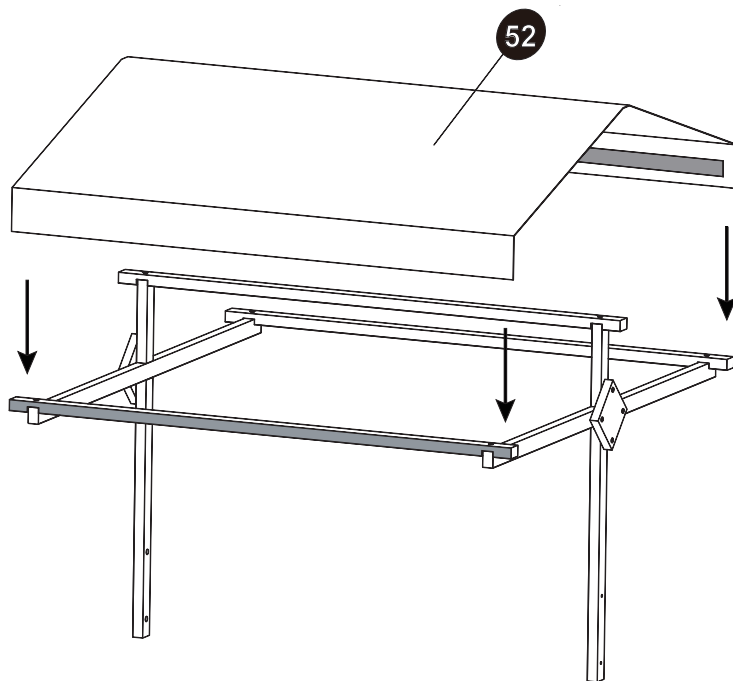
27



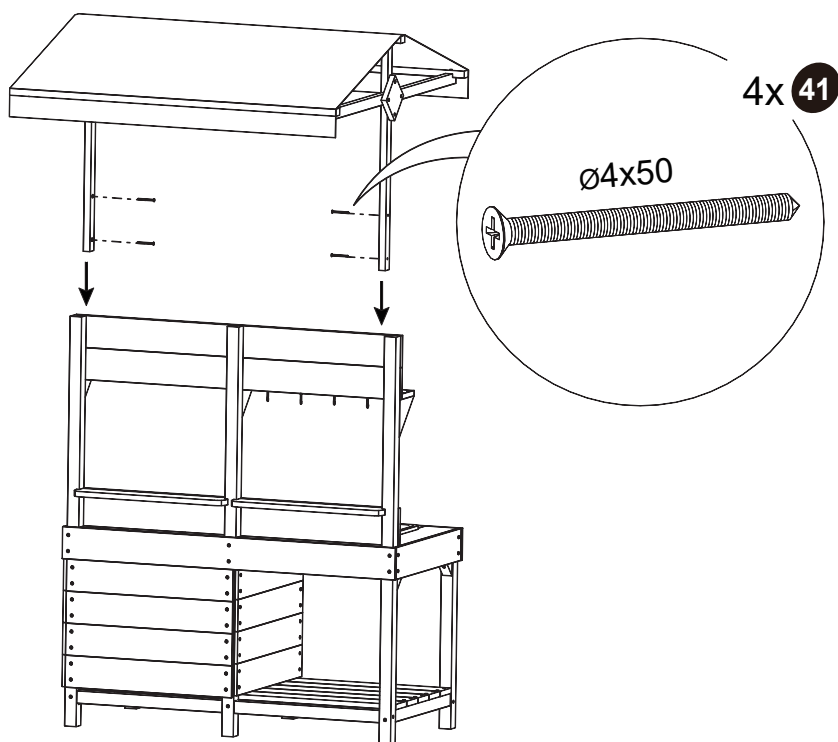
28

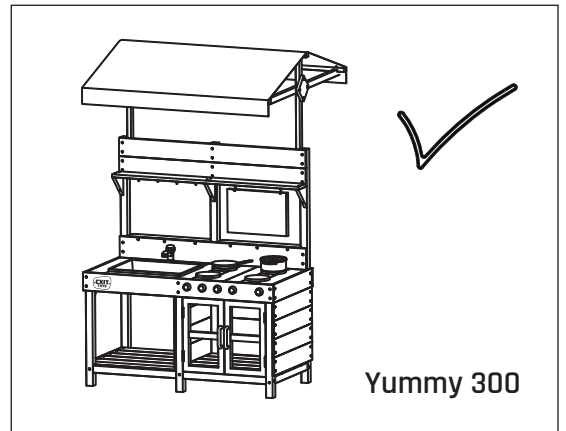
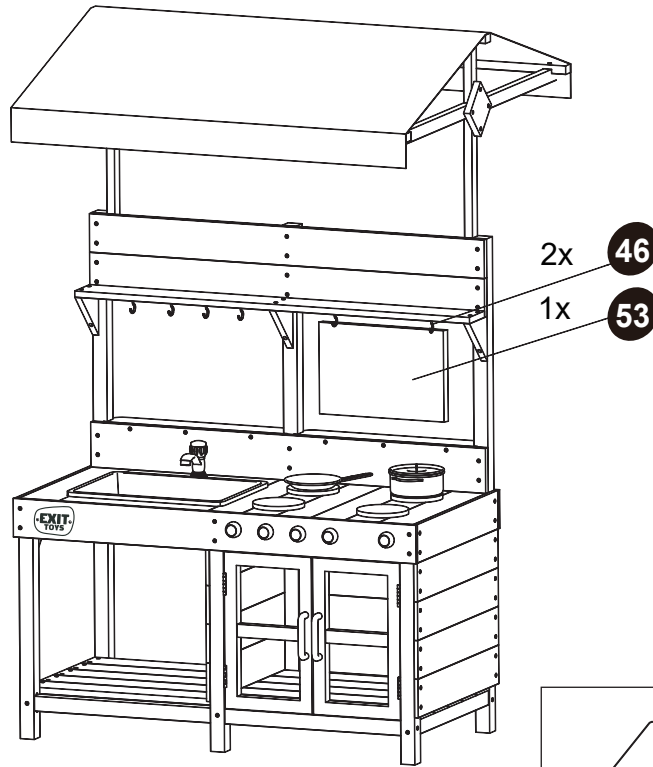


29



30







www.exittoys.com



Contact Information:

Dutch Toys Group B.V.
Edisonstraat 83
7006 RB Doetinchem, The Netherlands

info@exittoys.com
www.exittoys.com

EXIT Toys is part of:

SIMBA · DICKIE · GROUP

EXIT Toys is a registered trade mark of Dutch Toys Group